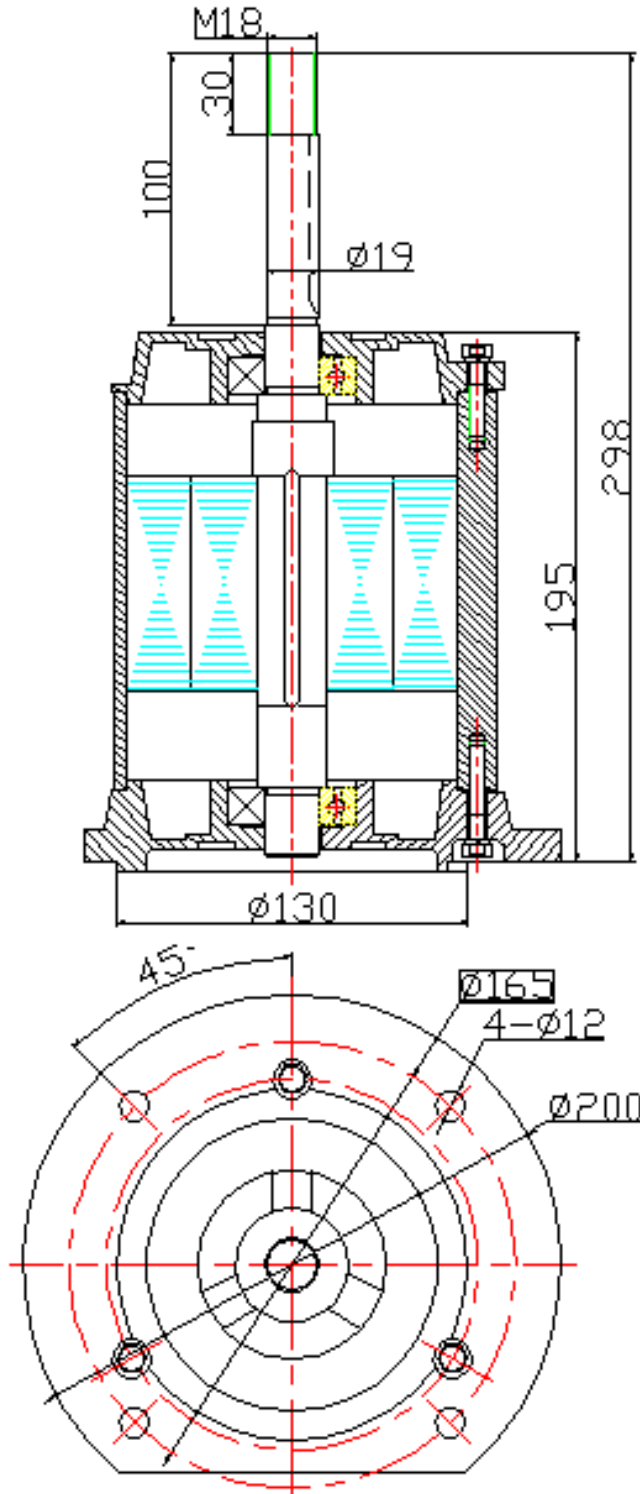
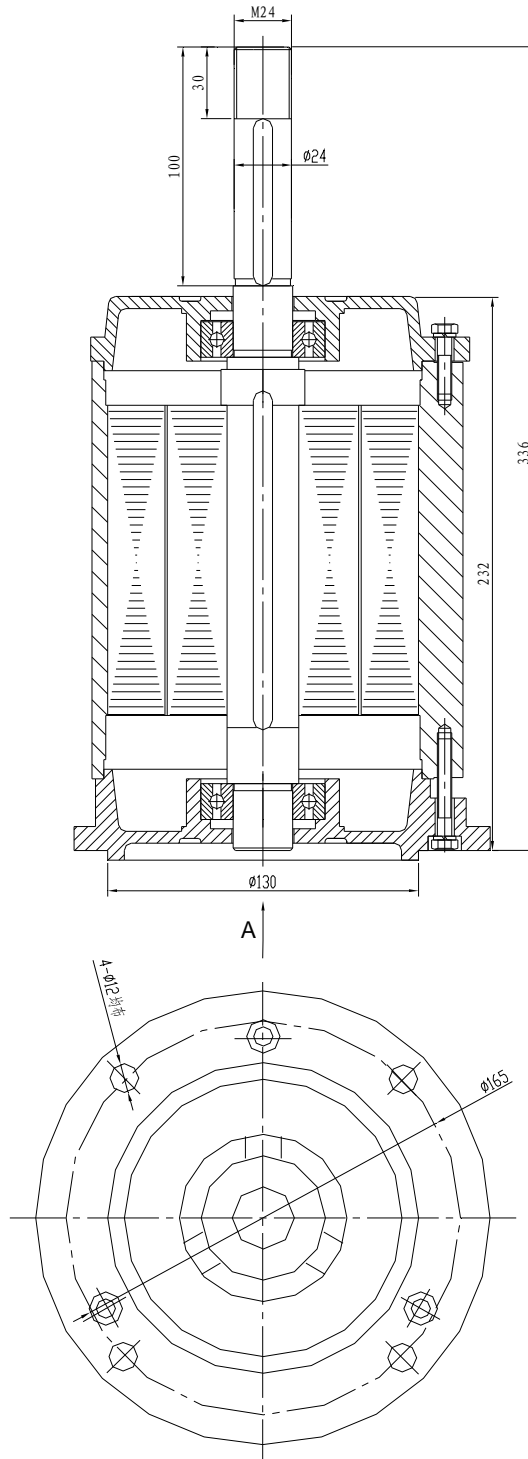


The 80 vertical axes drive straight the wind power permanent-magnet generator installation diagram and the technical parameter



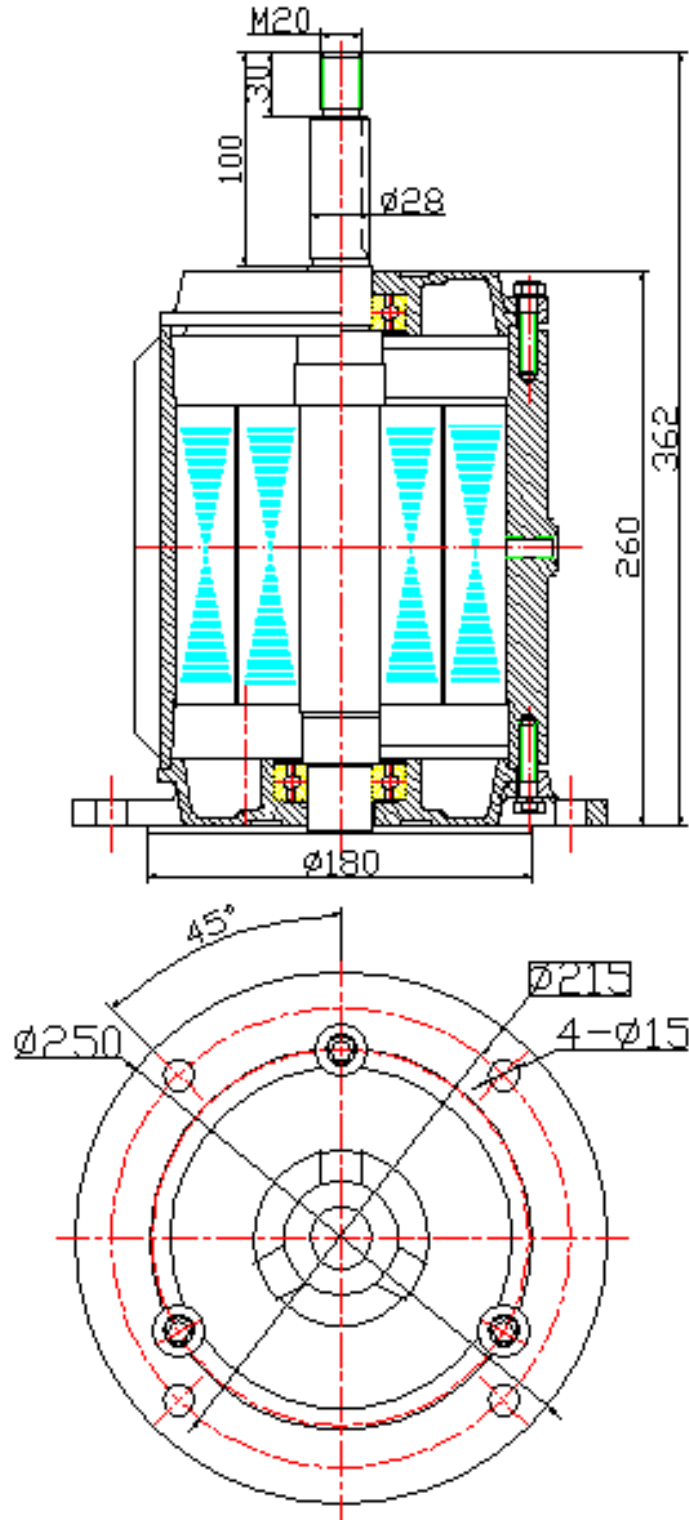
Power	Voltage	Speed	Current	Torque	Firing torque	Weight
0.1~0.5 kw	12~100V	30~60rpm	1~10A	16~160Nm	0.8~8Nm	21KG

The 90 vertical axes drive straight the wind power permanent-magnet generator installation diagram and the technical parameter



Power	Voltage	Speed	Current	Torque	Firing torque	Weight
0.3~0.5 kw	12~100V	30~60rpm	1~10A	48~160Nm	2~8Nm	28KG

The 100 vertical axes drive straight the wind power permanent-magnet generator installation diagram and the technical parameter



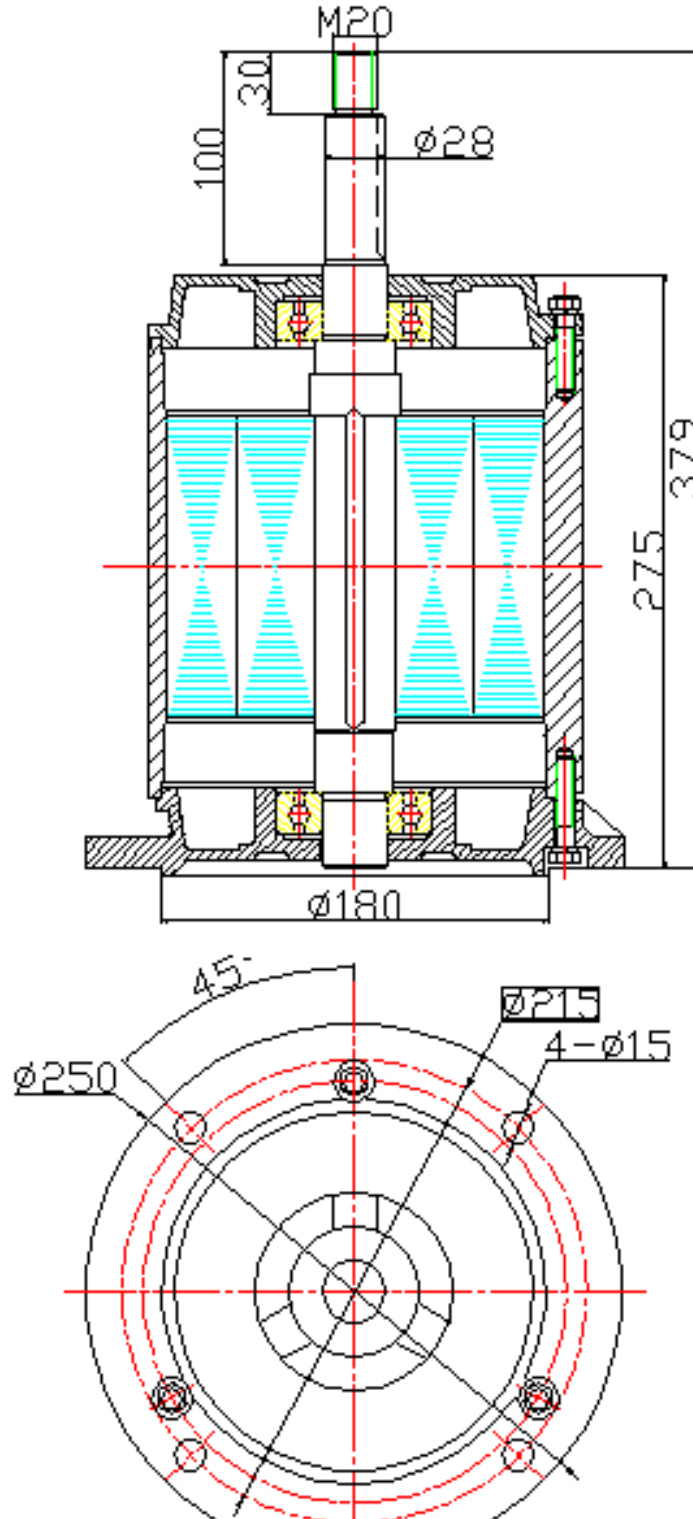
Power	Voltage	Speed	Current	Torque	Firing torque	Weight
-------	---------	-------	---------	--------	---------------	--------

Rare Earth Low Speed Generators

USA Solar & Wind Inc Email usasolar@comcast.net phone 1 904 513 1418

0.5~1 kw	24~150V	30~60rpm	3~15A	80~320Nm	4~16Nm	36KG
----------	---------	----------	-------	----------	--------	------

The 112 vertical axes drive straight the wind power permanent-magnet generator installation diagram and the technical parameter



VPMG Motorwerks TM

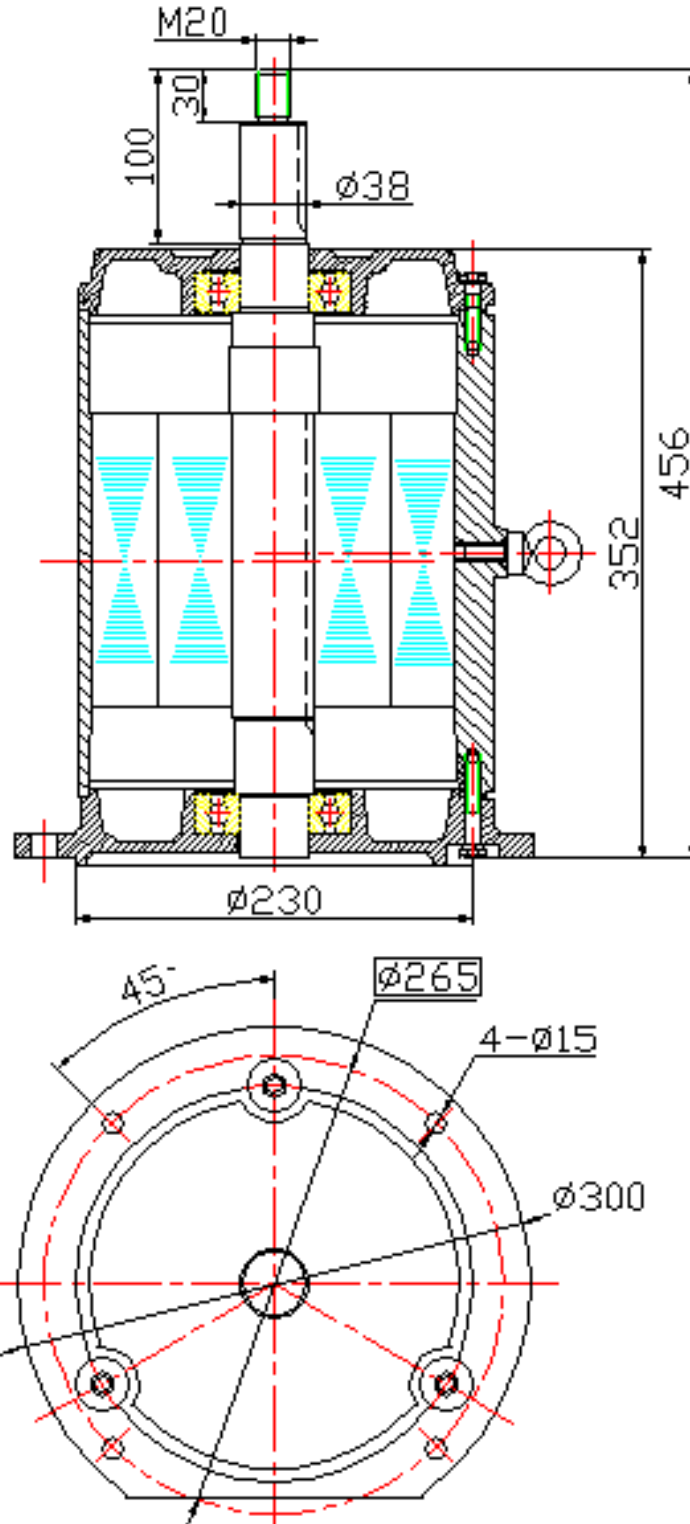
USA Solar & Wind Inc Email usasolar@comcast.net phone 1 904 513 1418

Power	Voltage	Speed	Current	Torque	Firing torque	Weight
0.8~1.5 kw	24~220V	30~60rpm	5~20A	130~480Nm	7~24Nm	49KG

The 132 vertical axes drive straight the wind power permanent-magnet generator installation diagram and the technical parameter

Rare Earth Low Speed Generators

USA Solar & Wind Inc Email usasolar@comcast.net phone 1 904 513 1418



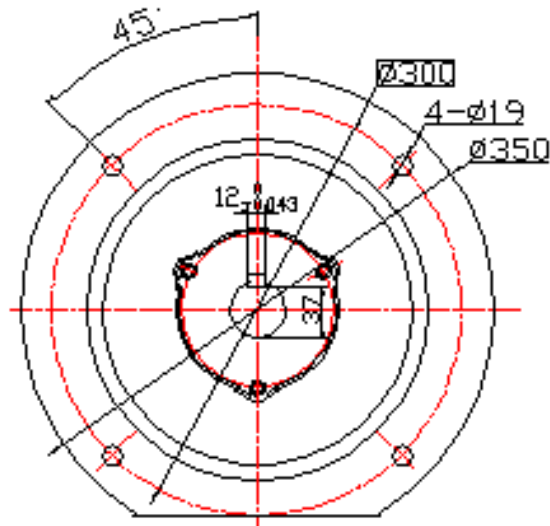
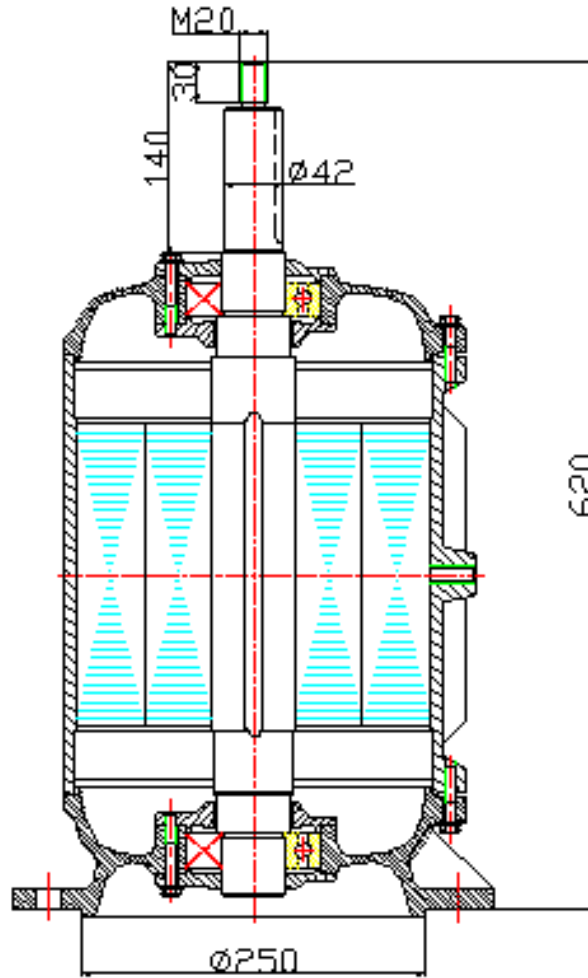
Power	Voltage	Speed	Current	Torque	Firing torque	Weight
1~2 kw	24~220V	30~60rpm	8~25A	160~640Nm	8~32Nm	90KG

The 160 vertical axes drive straight the wind power permanent-magnet

Rare Earth Low Speed Generators

USA Solar & Wind Inc Email usasolar@comcast.net phone 1 904 513 1418

generator installation diagram and the technical parameter

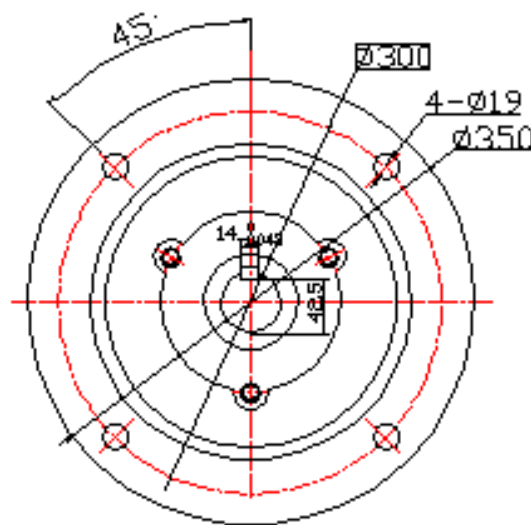
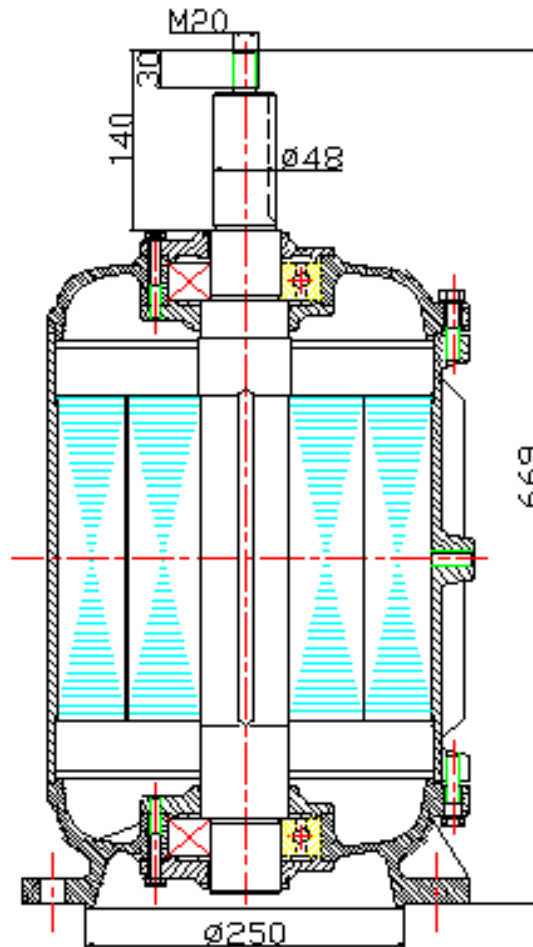


Power	Voltage	Speed	Current	Torque	Firing torque	Weight
2~3kw	24~380V	30~60rpm	10~40A	320~955Nm	16~48Nm	150KG

Rare Earth Low Speed Generators

USA Solar & Wind Inc Email usasolar@comcast.net phone 1 904 513 1418

The 180 vertical axes drive straight the wind power permanent-magnet generator installation diagram and the technical parameter

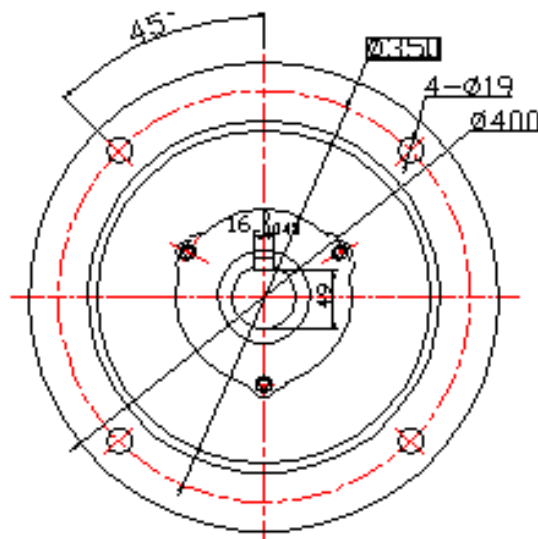
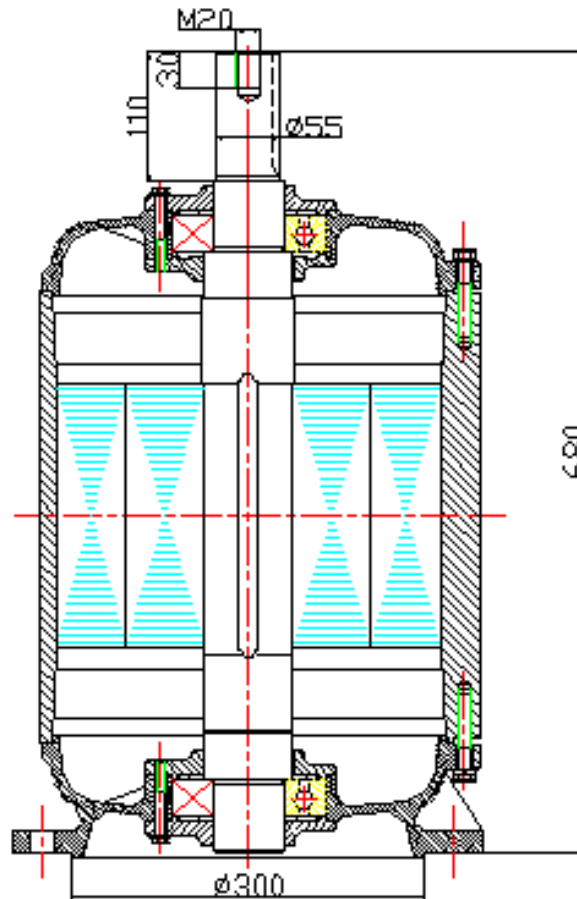


Power	Voltage	Speed	Current	Torque	Firing torque	Weight
3~4 kw	24~380V	30~60rpm	15~60A	480~1280Nm	24~64Nm	200KG

Rare Earth Low Speed Generators

USA Solar & Wind Inc Email usasolar@comcast.net phone 1 904 513 1418

The 200 vertical axes drive straight the wind power permanent-magnet generator installation diagram and the technical parameter

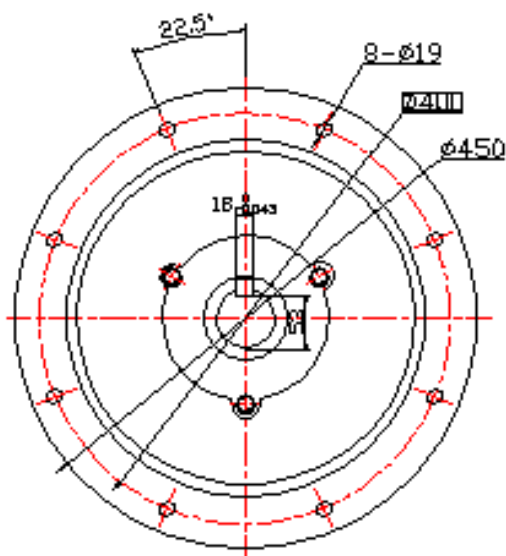
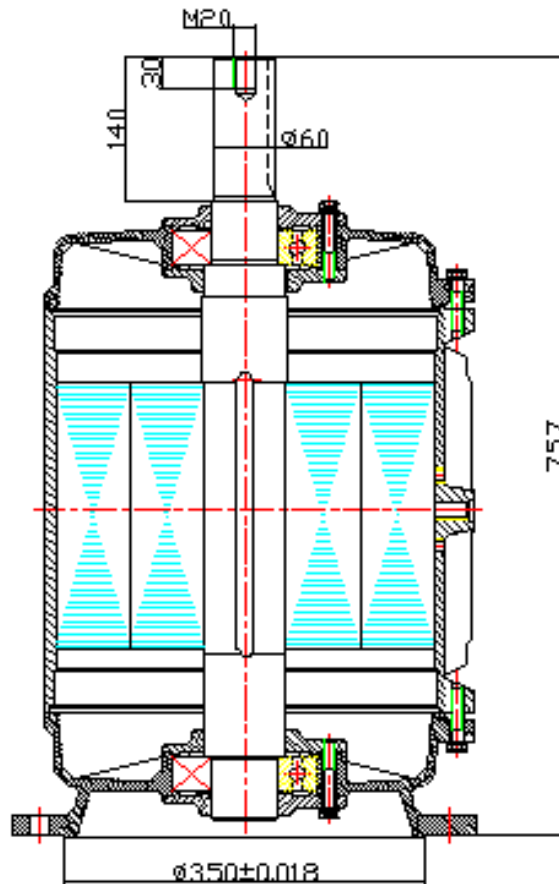


Power	Voltage	Speed	Current	Torque	Firing torque	Weight
4~5 kw	24~380V	30~60rpm	15~80A	640~1600Nm	32~80Nm	250KG

Rare Earth Low Speed Generators

USA Solar & Wind Inc Email usasolar@comcast.net phone 1 904 513 1418

The 225 vertical axes drive straight the wind power permanent-magnet generator installation diagram and the technical parameter

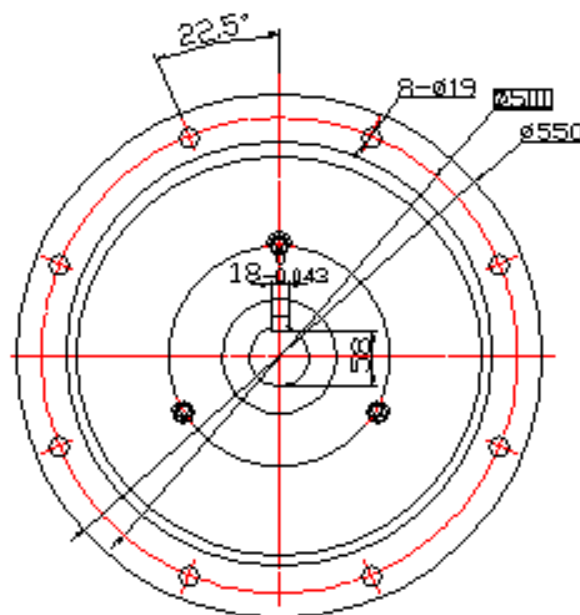
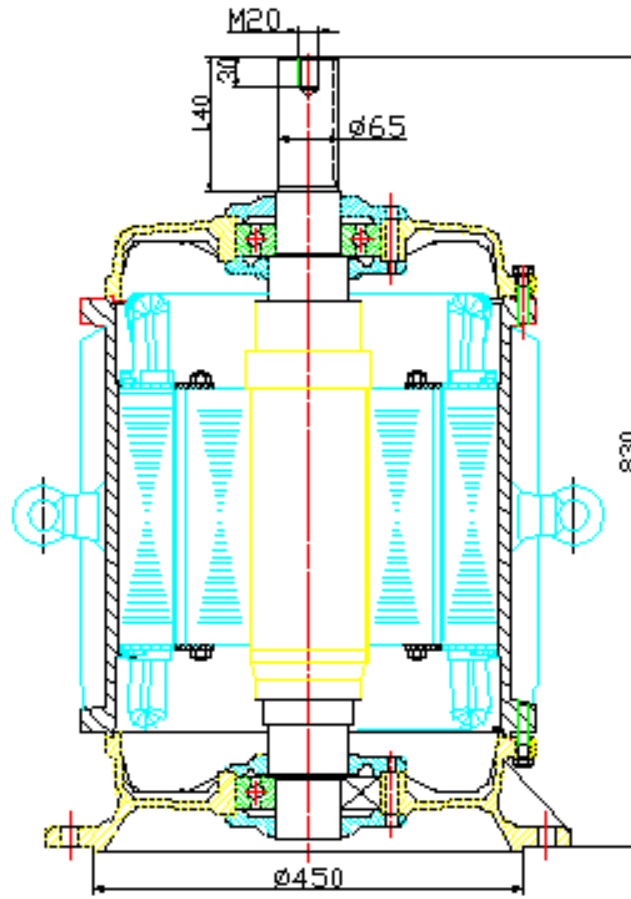


Power	Voltage	Speed	Current	Torque	Firing torque	Weight
6~8kw	380~690V	30~60rpm	20~100A	955~2500Nm	48~125Nm	320KG

Rare Earth Low Speed Generators

USA Solar & Wind Inc Email usasolar@comcast.net phone 1 904 513 1418

The 250 vertical axes drive straight the wind power permanent-magnet generator installation diagram and the technical parameter



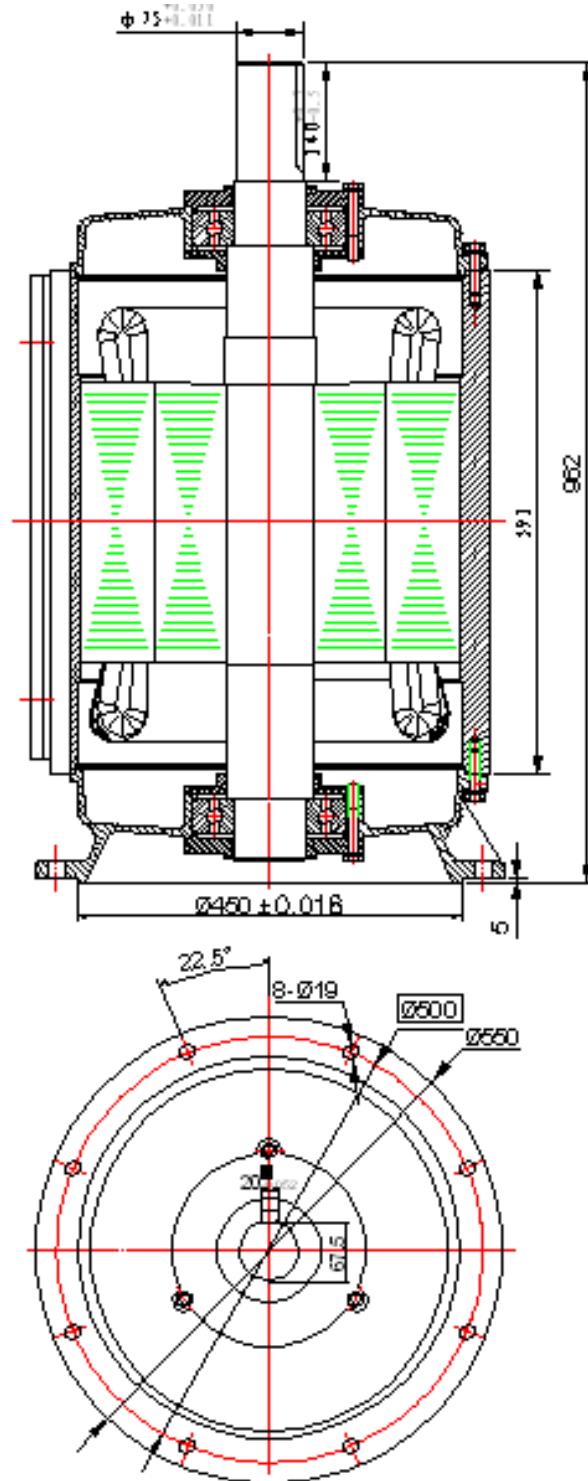
Power	Voltage	Speed	Current	Torque	Firing torque	Weight
-------	---------	-------	---------	--------	---------------	--------

Rare Earth Low Speed Generators

USA Solar & Wind Inc Email usasolar@comcast.net phone 1 904 513 1418

10~15kw	380~690V	30~60rpm	20~150A	2000~3200Nm	100~150Nm	430KG
---------	----------	----------	---------	-------------	-----------	-------

The 280 vertical axes drive straight the wind power permanent-magnet generator installation diagram and the technical parameter



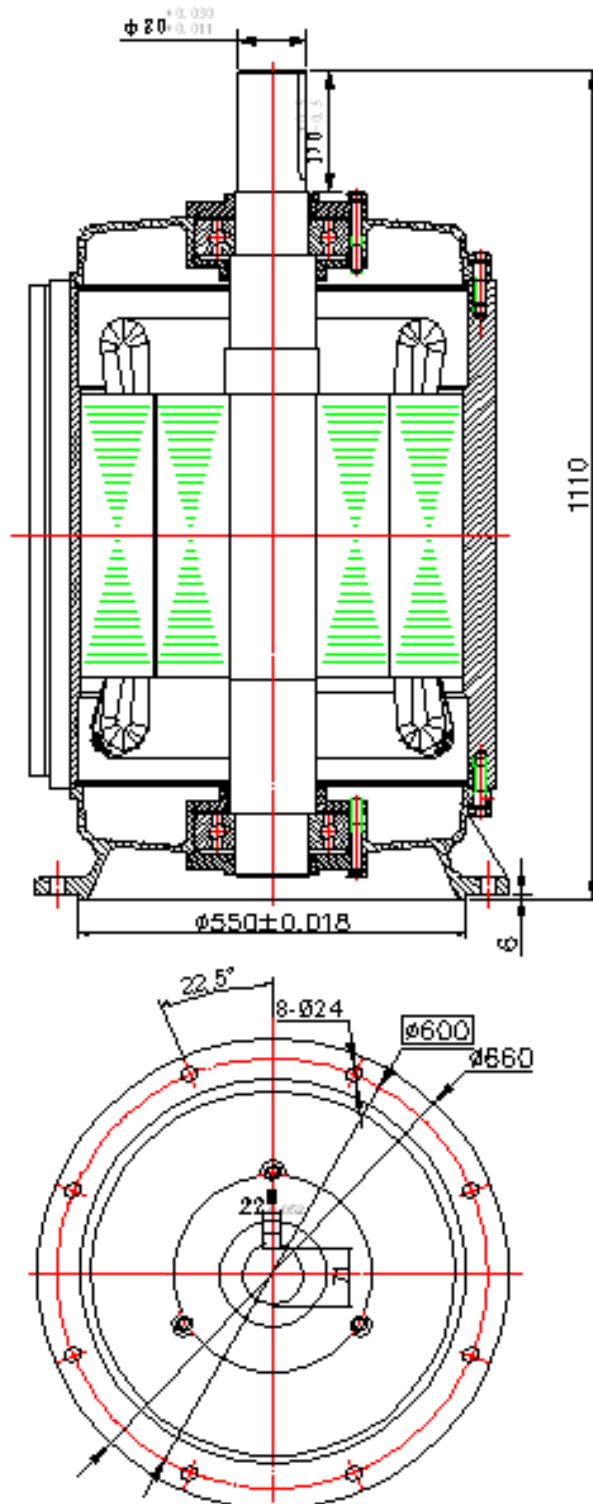
Power	Voltage	Speed	Current	Torque	Firing torque	Weight
-------	---------	-------	---------	--------	---------------	--------

Rare Earth Low Speed Generators

USA Solar & Wind Inc Email usasolar@comcast.net phone 1 904 513 1418

15~20kw	380~690V	30~60rpm	20~180A	2500~4200Nm	100~200Nm	630KG
---------	----------	----------	---------	-------------	-----------	-------

The 315 vertical axes drive straight the wind power permanent-magnet generator installation diagram and the technical parameter



Rare Earth Low Speed Generators

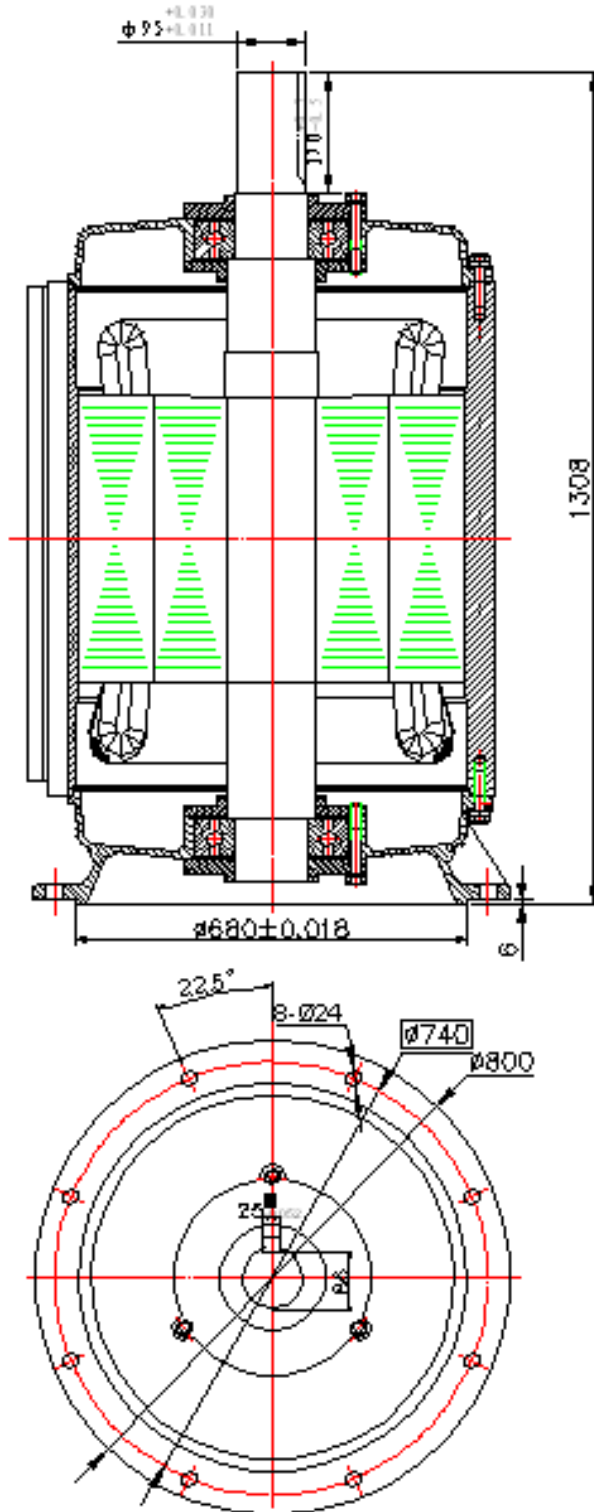
USA Solar & Wind Inc Email usasolar@comcast.net phone 1 904 513 1418

Power	Voltage	Speed	Current	Torque	Firing torque	Weight
20~50kw	380~690V	30~60rpm	30~200A	3000~4500Nm	100~250Nm	1210KG

The 355 vertical axes drive straight the wind power permanent-magnet generator installation diagram and the technical parameter

Rare Earth Low Speed Generators

USA Solar & Wind Inc Email usasolar@comcast.net phone 1 904 513 1418



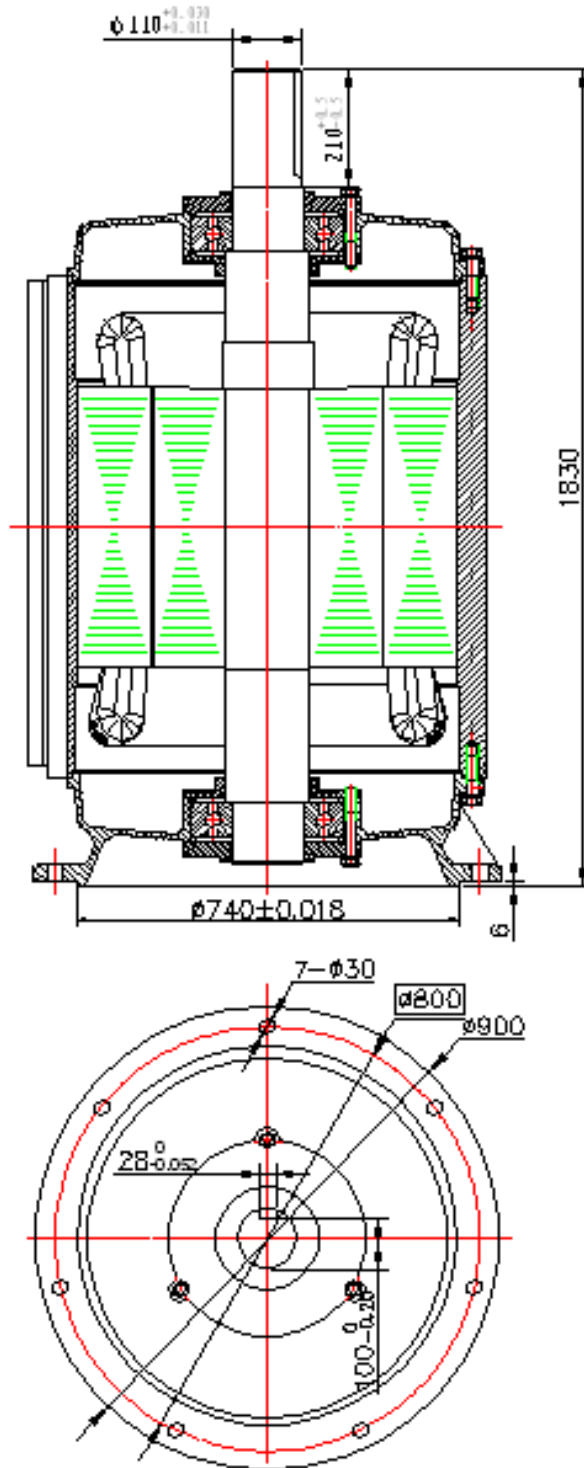
Power	Voltage	Speed	Current	Torque	Firing torque	Weight
30~80kw	380~690V	30~60rpm	40~180A	3500~5000Nm	150~300Nm	1990KG

The 400 vertical axes drive straight the wind power permanent-magnet

Rare Earth Low Speed Generators

USA Solar & Wind Inc Email usasolar@comcast.net phone 1 904 513 1418

generator installation diagram and the technical parameter



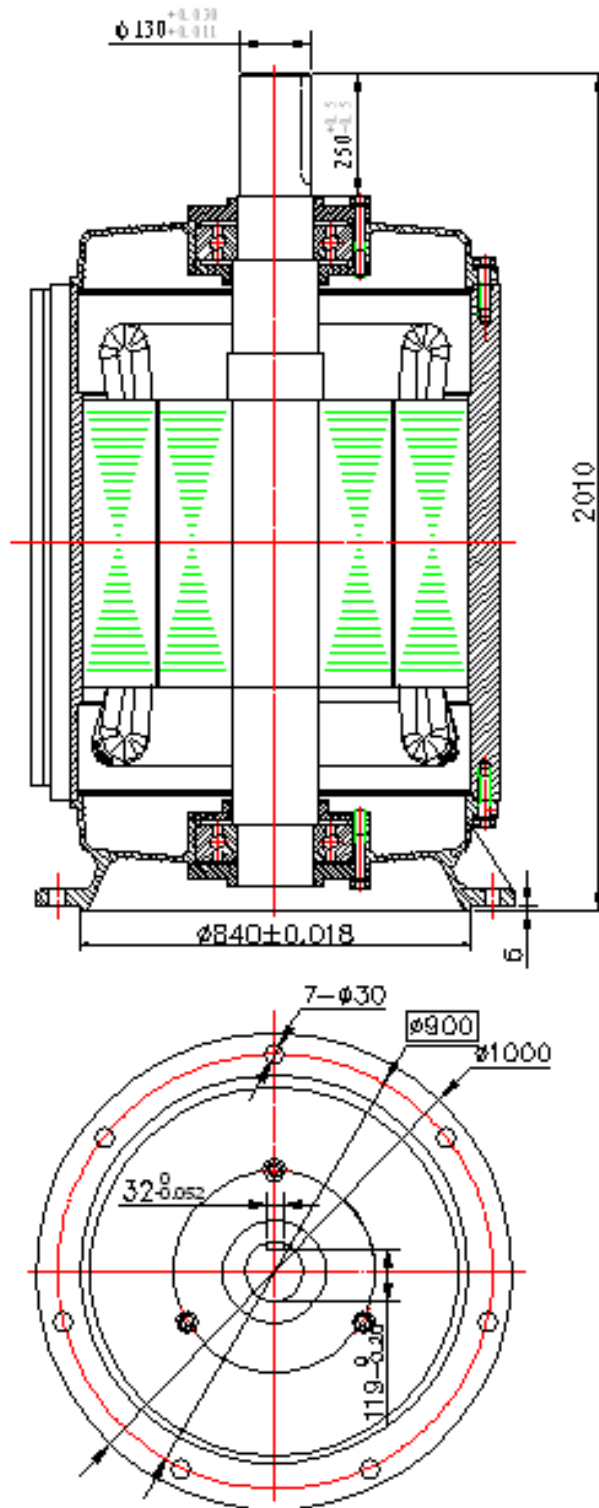
Power	Voltage	Speed	Current	Torque	Firing torque	Weight
60~150kw	380~690V	30~60rpm	50~200A	3800~5500Nm	150~350Nm	2780KG

The 450 vertical axes drive straight the wind power permanent-magnet

Rare Earth Low Speed Generators

USA Solar & Wind Inc Email usasolar@comcast.net phone 1 904 513 1418

generator installation diagram and the technical parameter

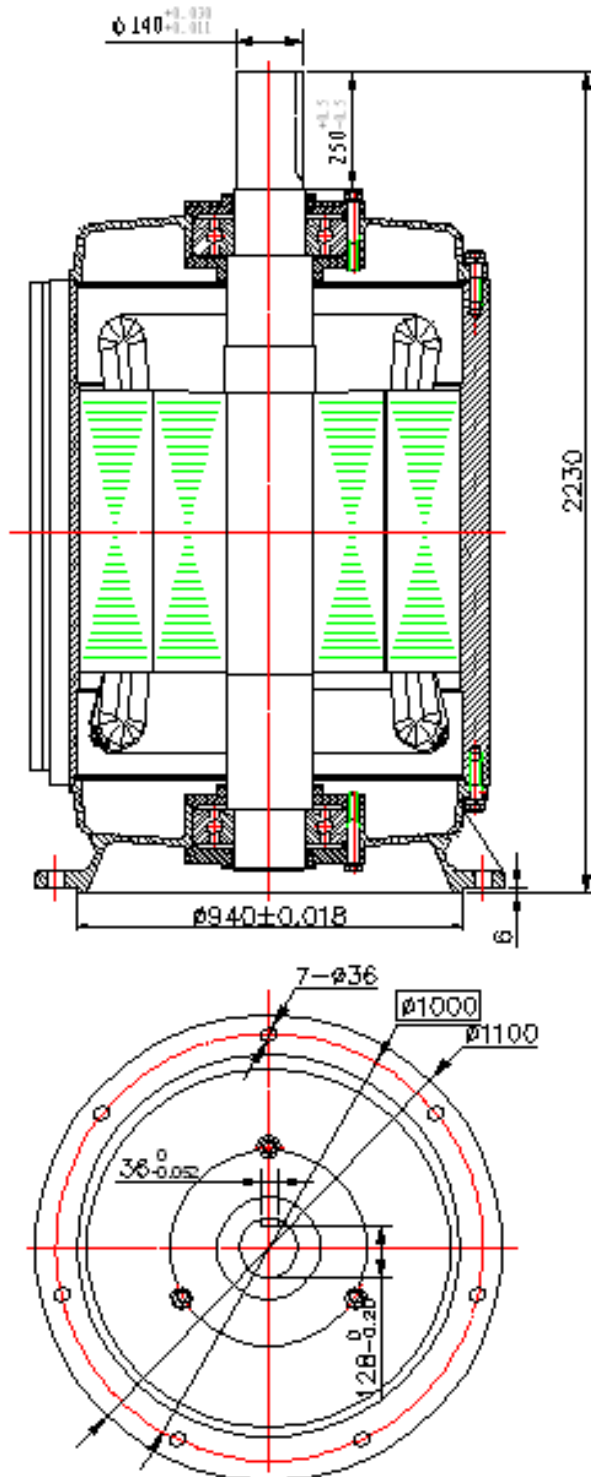


Power	Voltage	Speed	Current	Torque	Firing torque	Weight
120~200kw	380~690V	30~60rpm	60~260A	4200~6000Nm	150~420Nm	3570KG

Rare Earth Low Speed Generators

USA Solar & Wind Inc Email usasolar@comcast.net phone 1 904 513 1418

The 500 vertical axes drive straight the wind power permanent-magnet generator installation diagram and the technical parameter

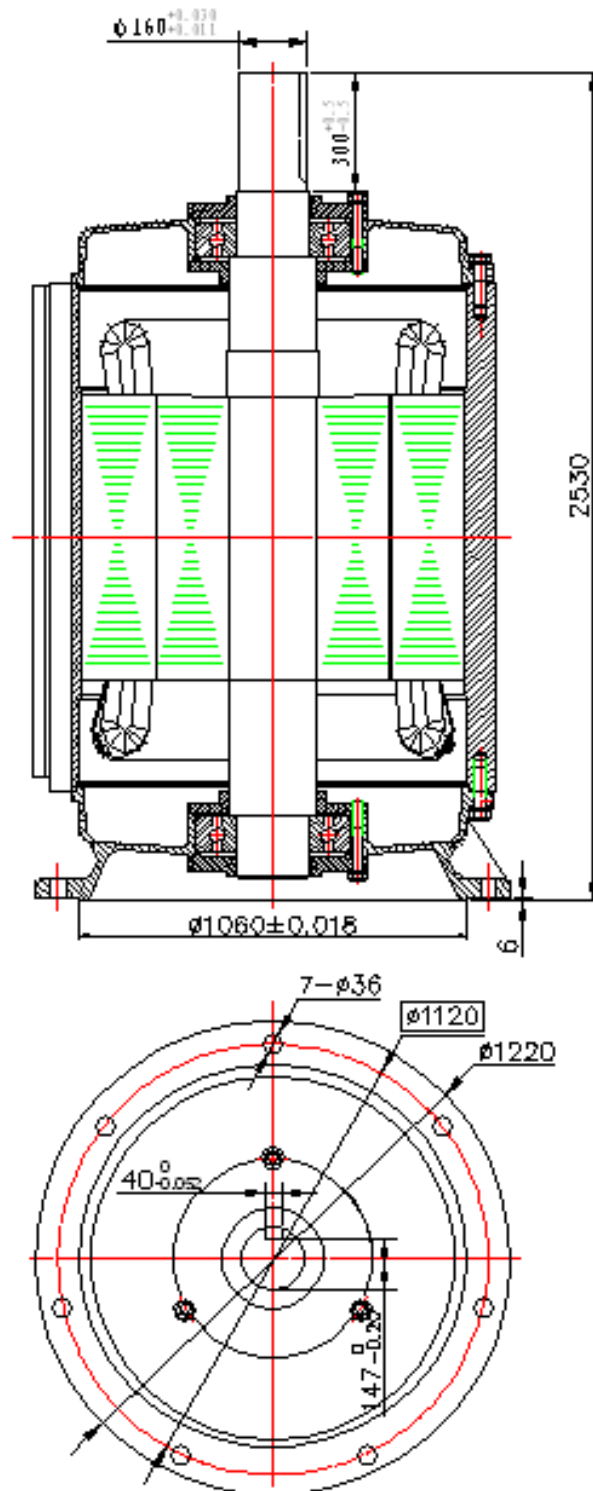


Power	Voltage	Speed	Current	Torque	Firing torque	Weight
150~300kw	380~690V	30~60rpm	80~300A	4500~6500Nm	150~450Nm	4510KG

Rare Earth Low Speed Generators

USA Solar & Wind Inc Email usasolar@comcast.net phone 1 904 513 1418

The 560 vertical axes drive straight the wind power permanent-magnet generator installation diagram and the technical parameter

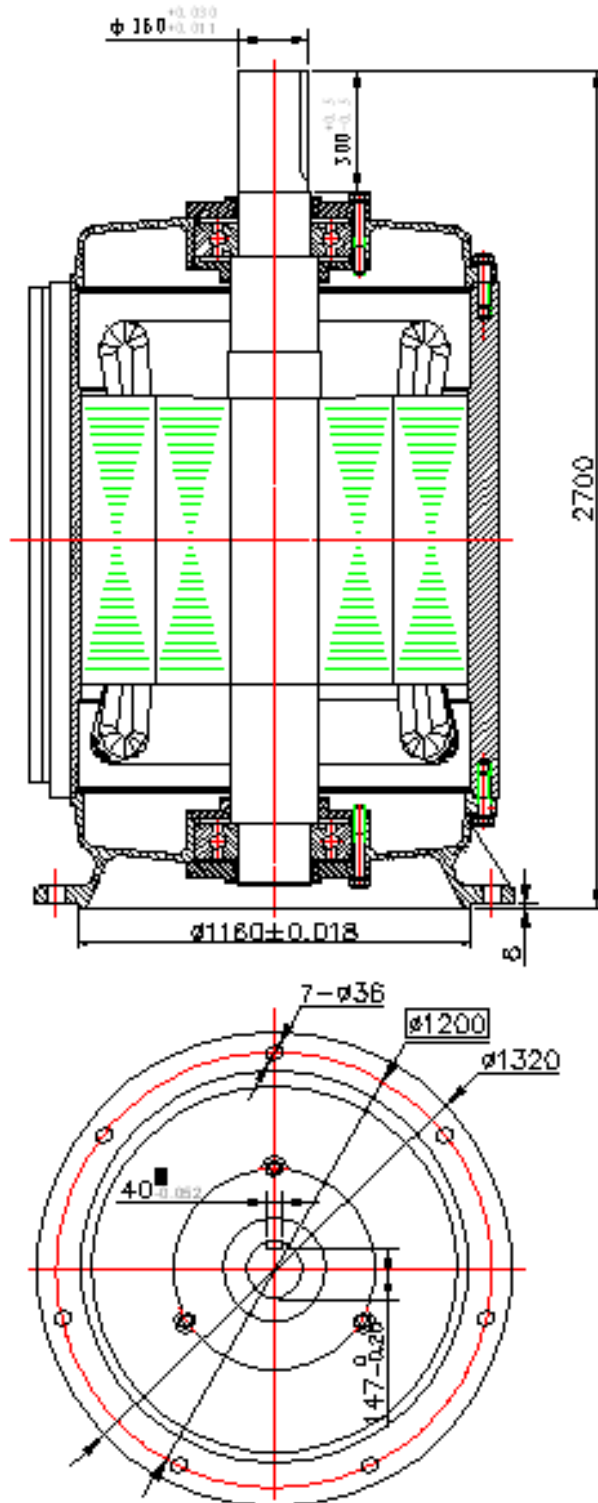


Power	Voltage	Speed	Current	Torque	Firing torque	Weight
200~400kw	380~690V	30~300rpm	100~500A	500~6500Nm	200~600Nm	5380KG

Rare Earth Low Speed Generators

USA Solar & Wind Inc Email usasolar@comcast.net phone 1 904 513 1418

The 630 vertical axes drive straight the wind power permanent-magnet generator installation diagram and the technical parameter

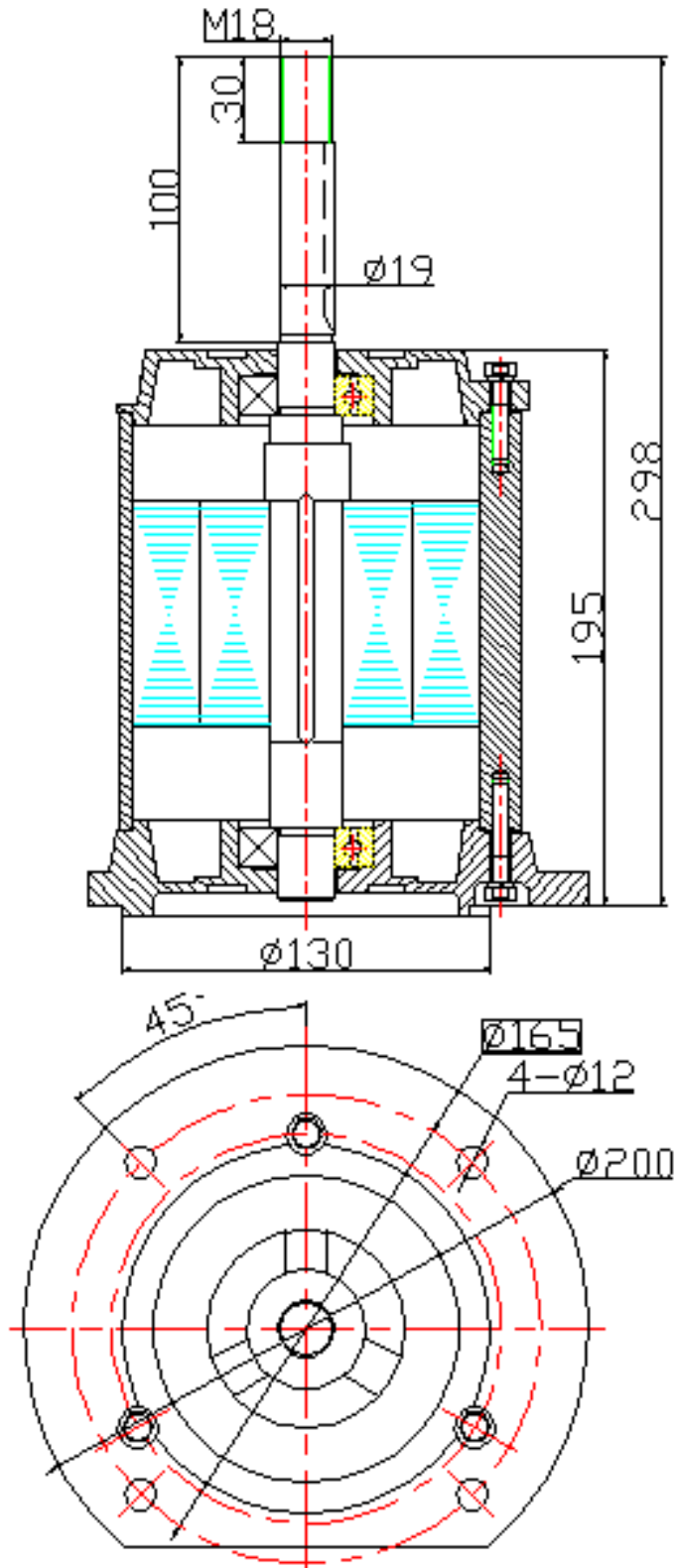


Power	Voltage	Speed	Current	Torque	Firing torque	Weight
300~500kw	380~690V	30~60rpm	150~800A	700~8000Nm	300~800Nm	6290KG

Rare Earth Low Speed Generators

USA Solar & Wind Inc Email usasolar@comcast.net phone 1 904 513 1418

80 vertical axis wind power permanent-magnet generator installation diagram and technical parameter



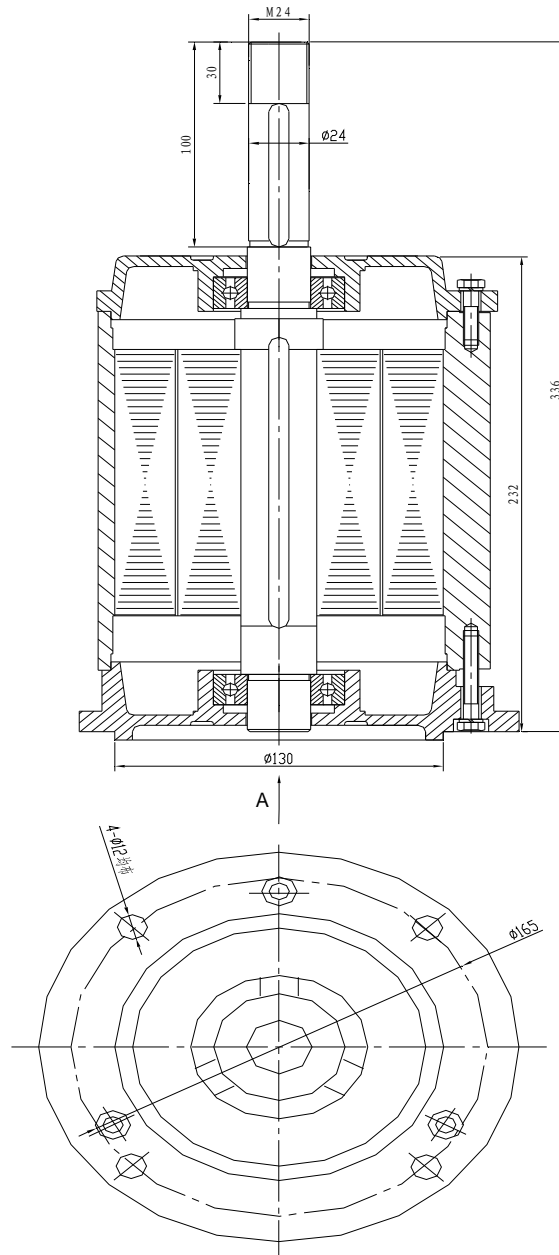
Rare Earth Low Speed Generators

USA Solar & Wind Inc Email usasolar@comcast.net phone 1 904 513 1418

Power	Voltage	Speed	Current	Torque	Firing torque	Weight
0.5~2.5 kw	12~100V	300~400rpm	5~50A	12~80Nm	0.6~4Nm	21KG

90 vertical axis wind power permanent-magnet generator installation

diagram and technical parameter



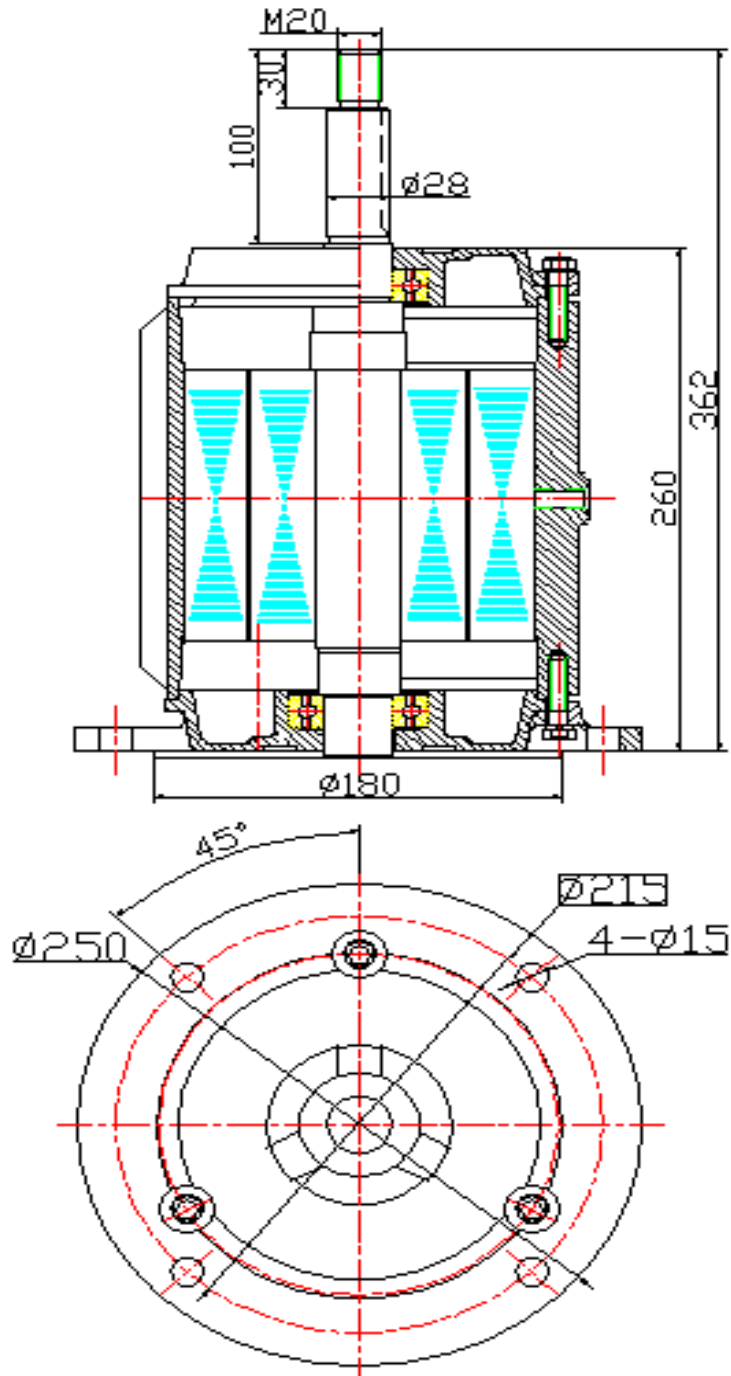
Power	Voltage	Speed	Current	Torque	Firing torque	Weight
-------	---------	-------	---------	--------	---------------	--------

Rare Earth Low Speed Generators

USA Solar & Wind Inc Email usasolar@comcast.net phone 1 904 513 1418

1.5~2.5 kw	12~100V	300~400rpm	5~50A	40~80Nm	2~4Nm	28KG
------------	---------	------------	-------	---------	-------	------

100 vertical axis wind power permanent-magnet generator installation diagram and technical parameter

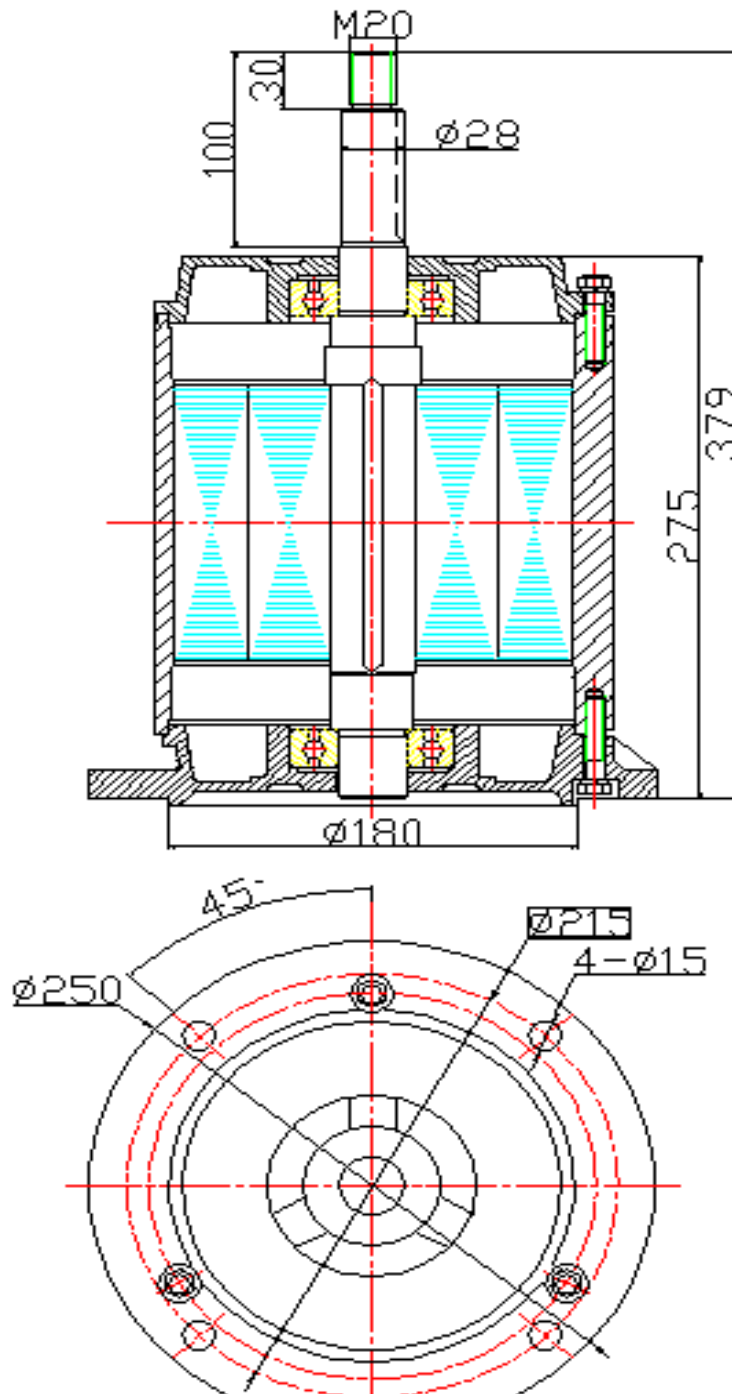


Rare Earth Low Speed Generators

USA Solar & Wind Inc Email usasolar@comcast.net phone 1 904 513 1418

Power	Voltage	Speed	Current	Torque	Firing torque	Weight
2.5~5 kw	24~150V	300~400rpm	15~75A	60~160Nm	3~8Nm	36KG

112 vertical axis wind power permanent-magnet generator installation diagram and technical parameter



Rare Earth Low Speed Generators

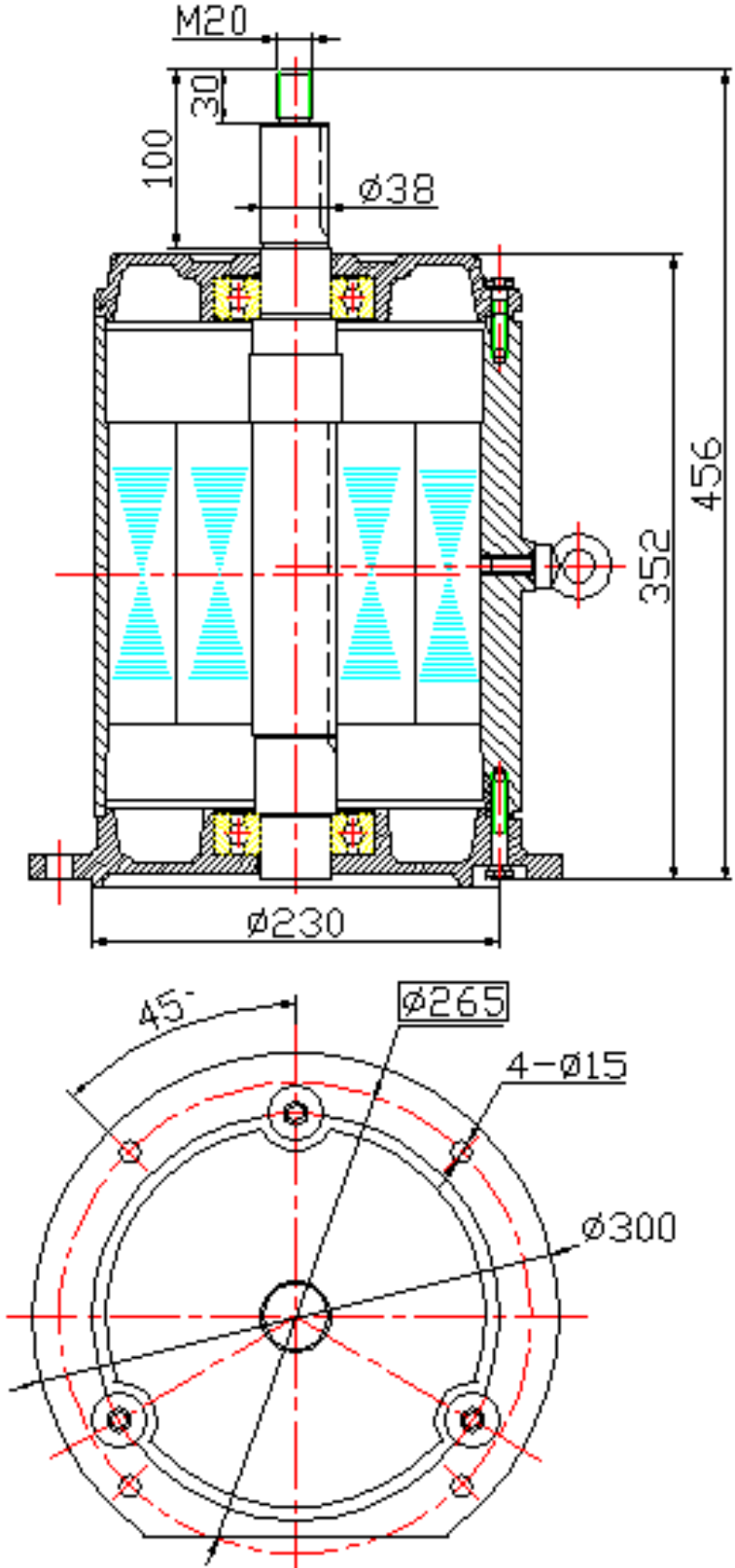
USA Solar & Wind Inc Email usasolar@comcast.net phone 1 904 513 1418

Power	Voltage	Speed	Current	Torque	Firing torque	Weight
4~6 kw	24~220V	200~300rpm	25~100A	130~280Nm	7~14Nm	49KG

132 vertical axis wind power permanent-magnet generator installation diagram and technical parameter

Rare Earth Low Speed Generators

USA Solar & Wind Inc Email usasolar@comcast.net phone 1 904 513 1418



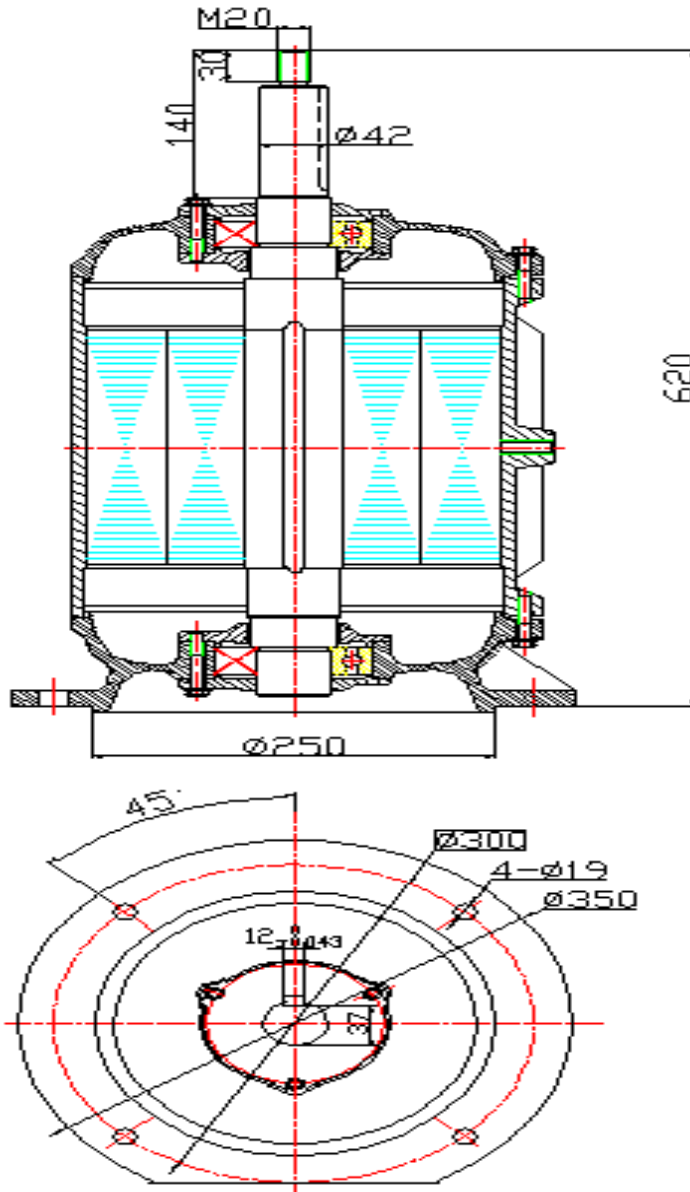
Power	Voltage	Speed	Current	Torque	Firing torque	Weight
5~8 kw	24~220V	200~300rpm	40~125A	160~380Nm	8~19Nm	90KG

160 vertical axis wind power permanent-magnet generator installation

Rare Earth Low Speed Generators

USA Solar & Wind Inc Email usasolar@comcast.net phone 1 904 513 1418

diagram and technical parameter



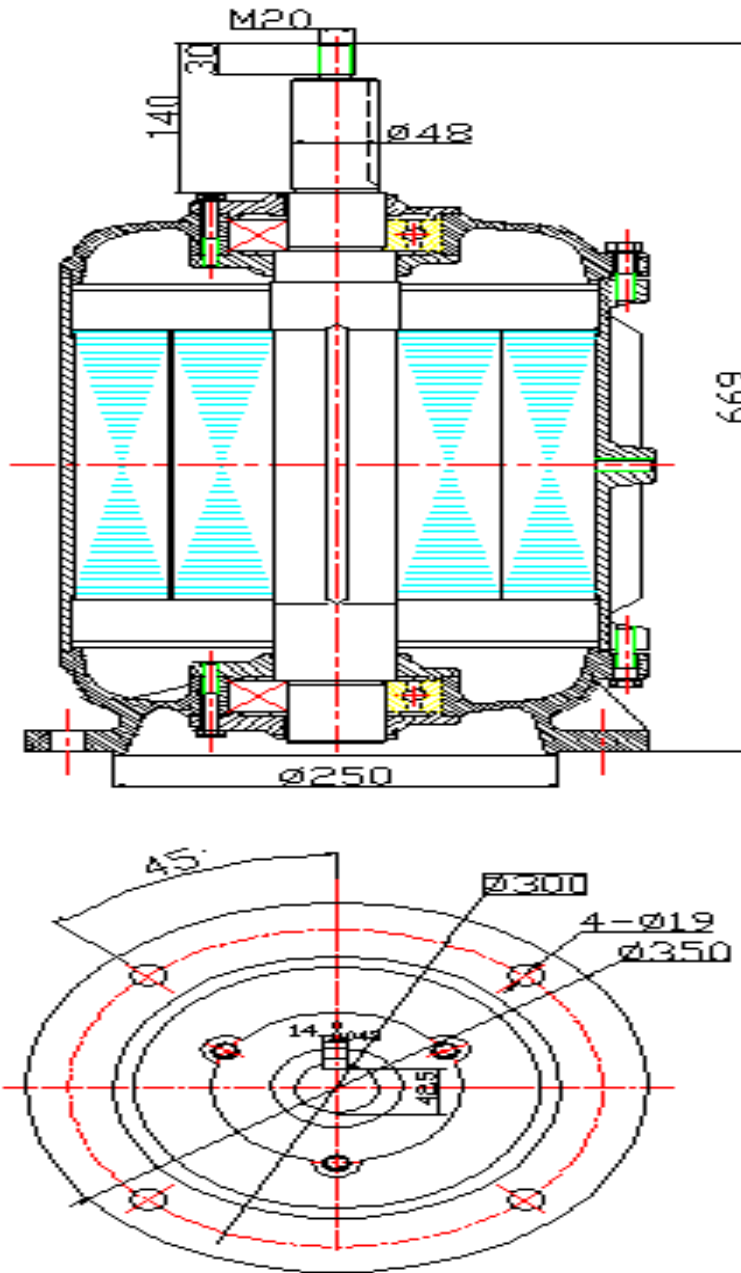
Power	Voltage	Speed	Current	Torque	Firing torque	Weight
10~15kw	24~380V	200~300rpm	50~200A	320~720Nm	16~36Nm	150KG

180 vertical axis wind power permanent-magnet generator installation

Rare Earth Low Speed Generators

USA Solar & Wind Inc Email usasolar@comcast.net phone 1 904 513 1418

diagram and technical parameter

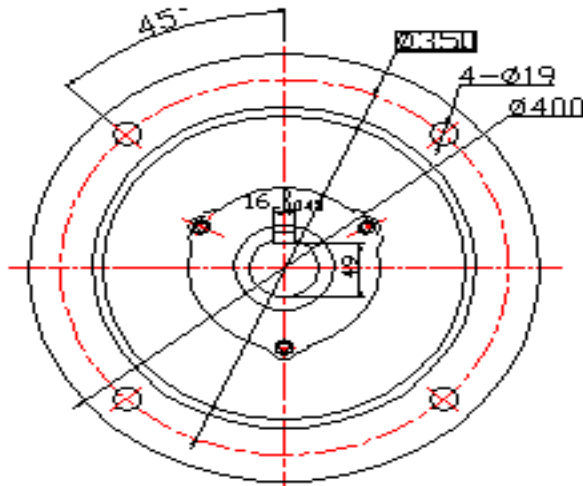
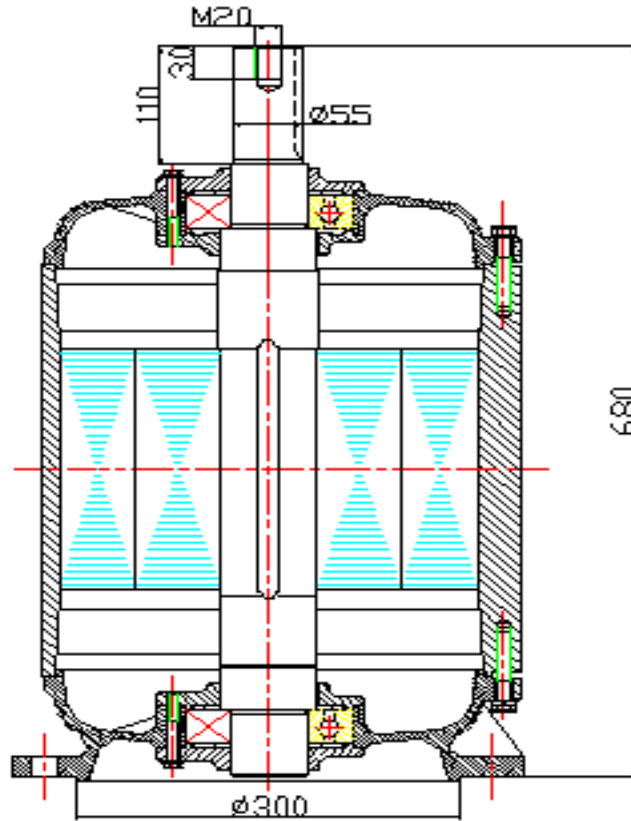


Power	Voltage	Speed	Current	Torque	Firing torque	Weight
12~15 kw	24~380V	150~250rpm	75~300A	460~955Nm	23~48Nm	200KG

Rare Earth Low Speed Generators

USA Solar & Wind Inc Email usasolar@comcast.net phone 1 904 513 1418

200 vertical axis wind power permanent-magnet generator installation diagram and technical parameter

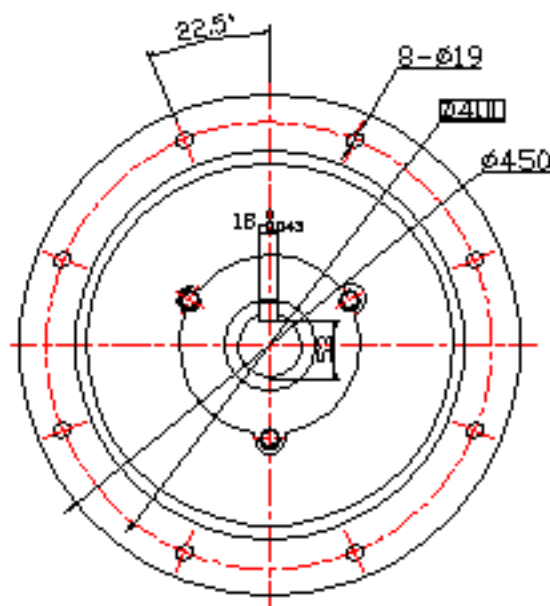
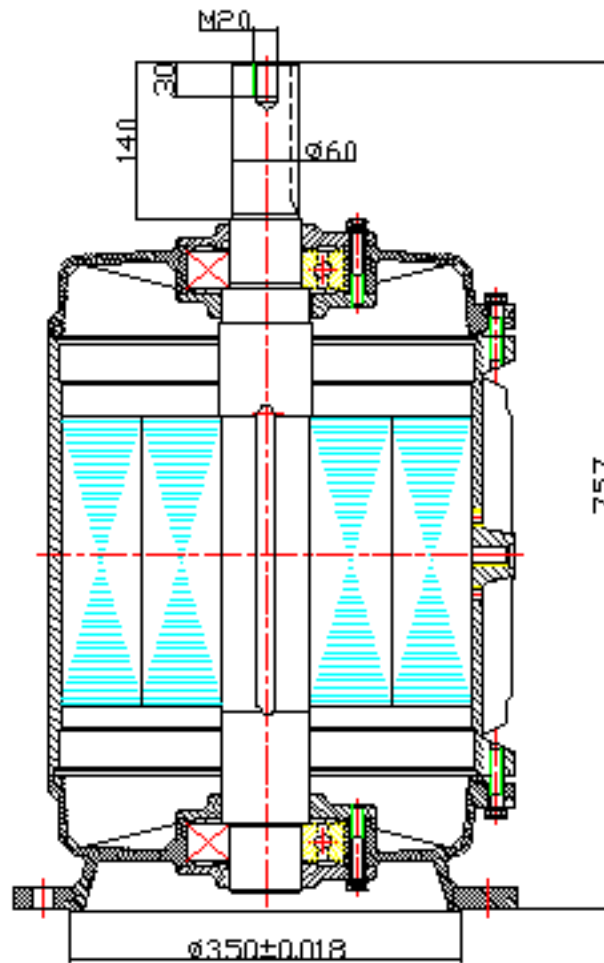


Power	Voltage	Speed	Current	Torque	Firing torque	Weight
15~20 kw	24~380V	150~250rpm	75~400A	580~1280Nm	30~64Nm	250KG

Rare Earth Low Speed Generators

USA Solar & Wind Inc Email usasolar@comcast.net phone 1 904 513 1418

225 vertical axis wind power permanent-magnet generator installation diagram and technical parameter



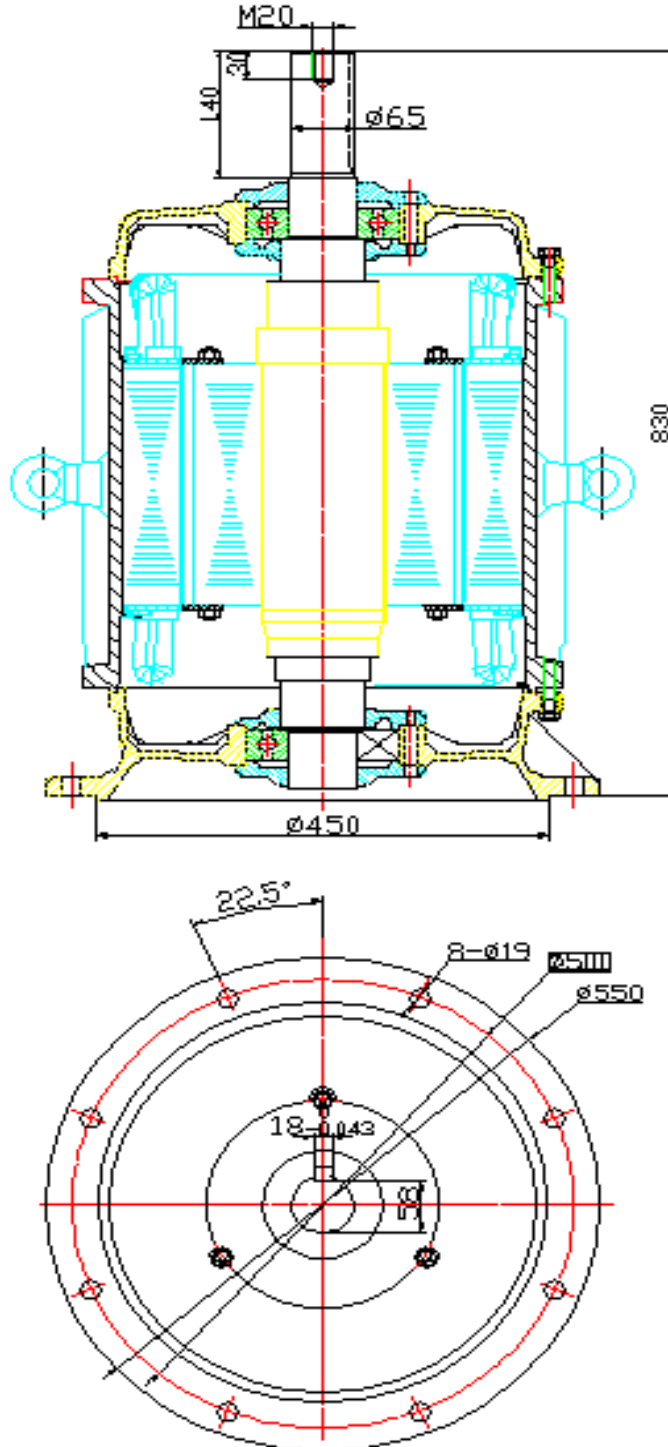
Power	Voltage	Speed	Current	Torque	Firing torque	Weight
-------	---------	-------	---------	--------	---------------	--------

Rare Earth Low Speed Generators

USA Solar & Wind Inc Email usasolar@comcast.net phone 1 904 513 1418

20~30kw	380~690V	150~250rpm	100~500A	760~1900Nm	40~100Nm	320KG
---------	----------	------------	----------	------------	----------	-------

250 vertical axis wind power permanent-magnet generator installation diagram and technical parameter

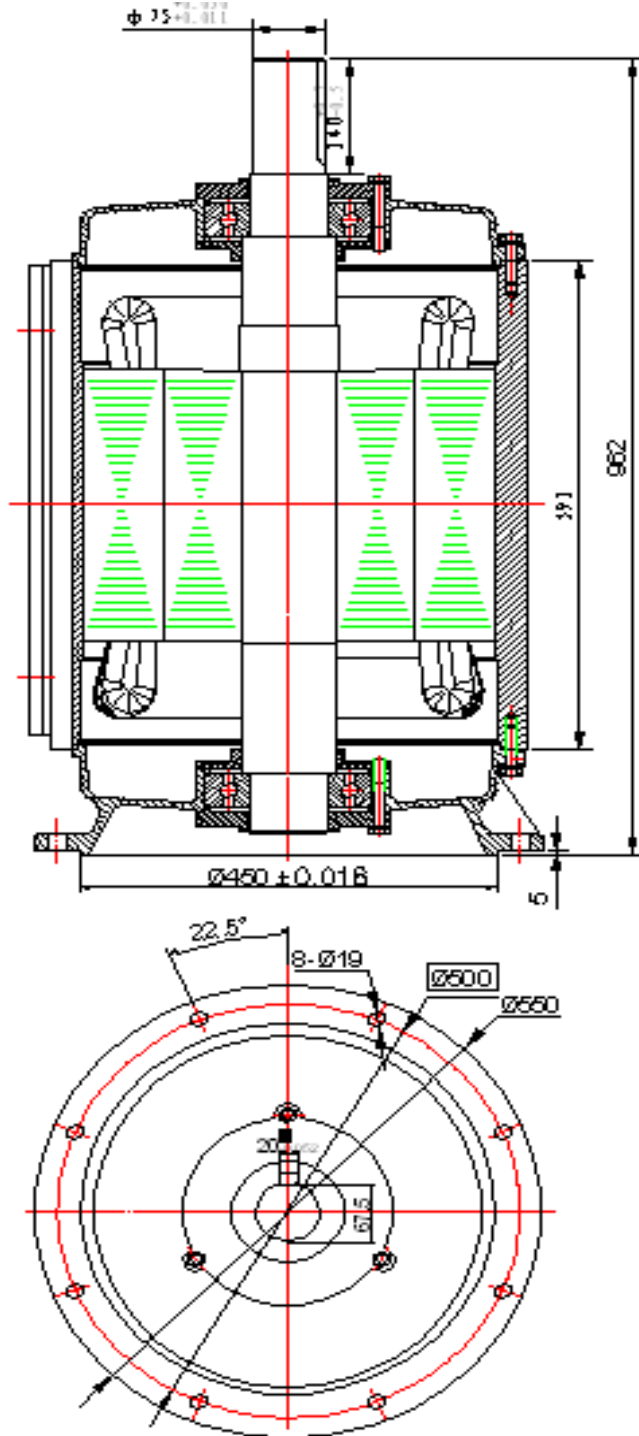


Power	Voltage	Speed	Current	Torque	Firing torque	Weight
30~50kw	380~690V	100~200rpm	100~500A	2000~3200Nm	80~150Nm	430KG

Rare Earth Low Speed Generators

USA Solar & Wind Inc Email usasolar@comcast.net phone 1 904 513 1418

280 vertical axis wind power permanent-magnet generator installation diagram and technical parameter

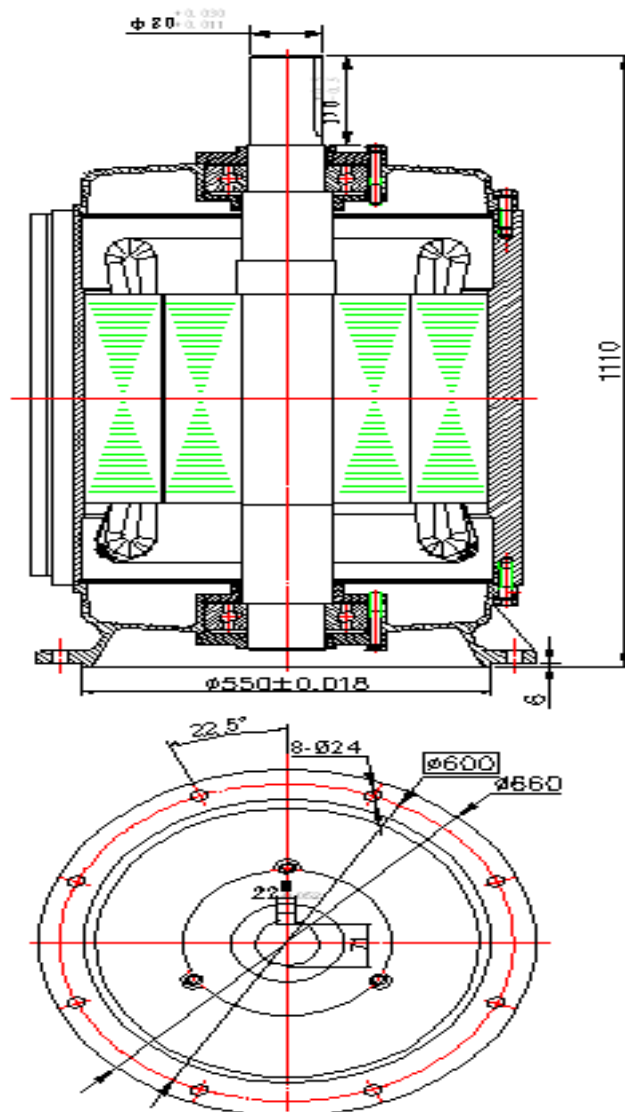


Power	Voltage	Speed	Current	Torque	Firing torque	Weight
50~70kw	380~690V	100~200rpm	100~600A	2500~3200Nm	100~200Nm	630KG

Rare Earth Low Speed Generators

USA Solar & Wind Inc Email usasolar@comcast.net phone 1 904 513 1418

315 vertical axis wind power permanent-magnet generator installation diagram and technical parameter



Rare Earth Low Speed Generators

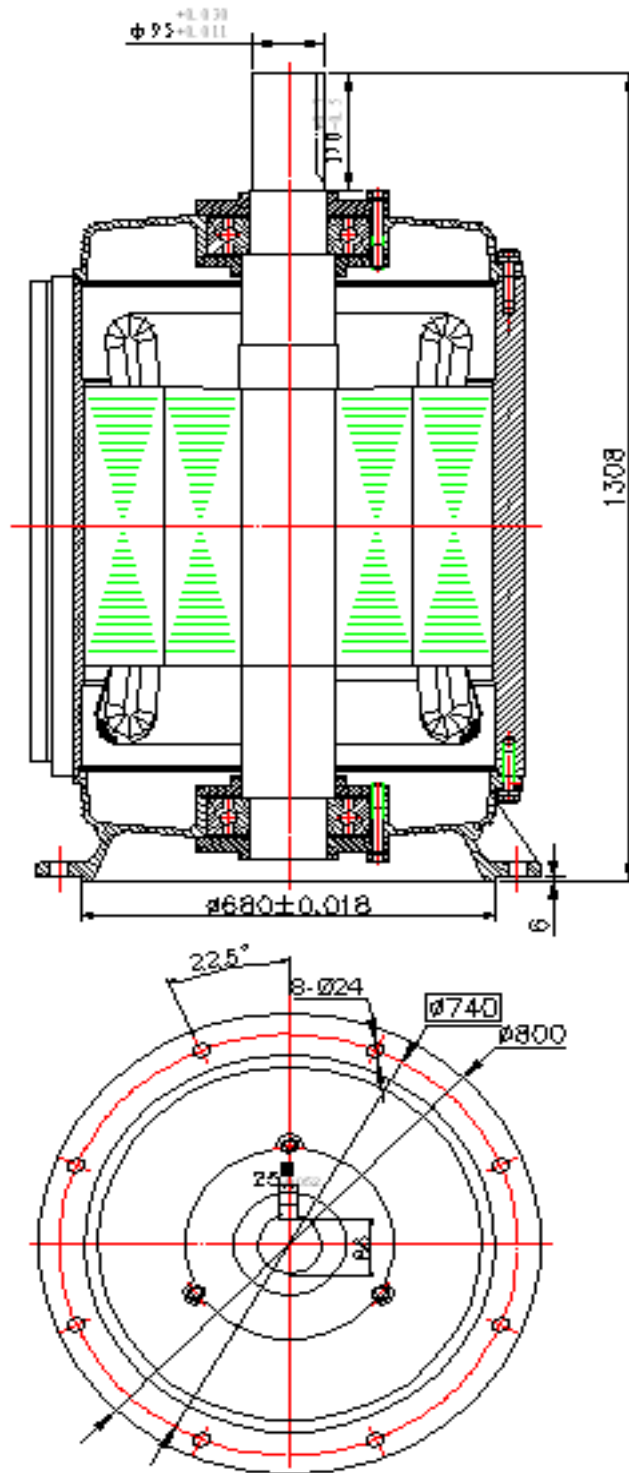
USA Solar & Wind Inc Email usasolar@comcast.net phone 1 904 513 1418

Power	Voltage	Speed	Current	Torque	Firing torque	Weight
60~120kw	380~690V	100~200rpm	150~700A	3000~4500Nm	120~250Nm	1210KG

355 vertical axis wind power permanent-magnet generator installation diagram and technical parameter

Rare Earth Low Speed Generators

USA Solar & Wind Inc Email usasolar@comcast.net phone 1 904 513 1418



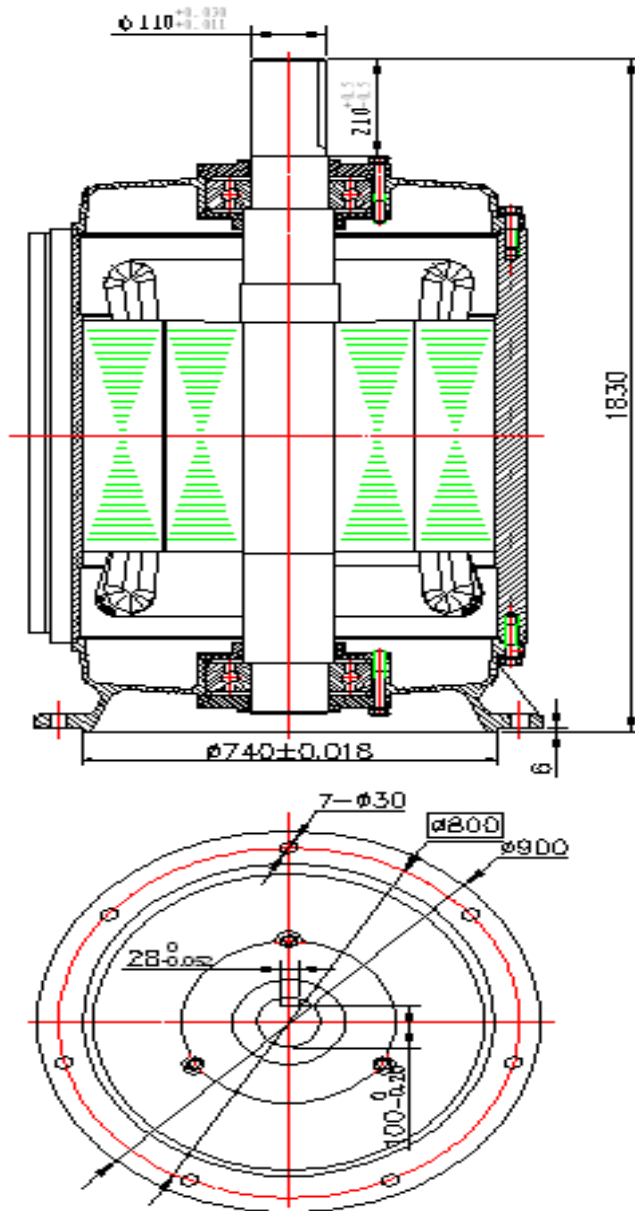
Power	Voltage	Speed	Current	Torque	Firing torque	Weight
100~200kw	380~690V	100~200rpm	200~900A	3500~5000Nm	150~300Nm	1990KG

400 vertical axis wind power permanent-magnet generator installation

Rare Earth Low Speed Generators

USA Solar & Wind Inc Email usasolar@comcast.net phone 1 904 513 1418

diagram and technical parameter



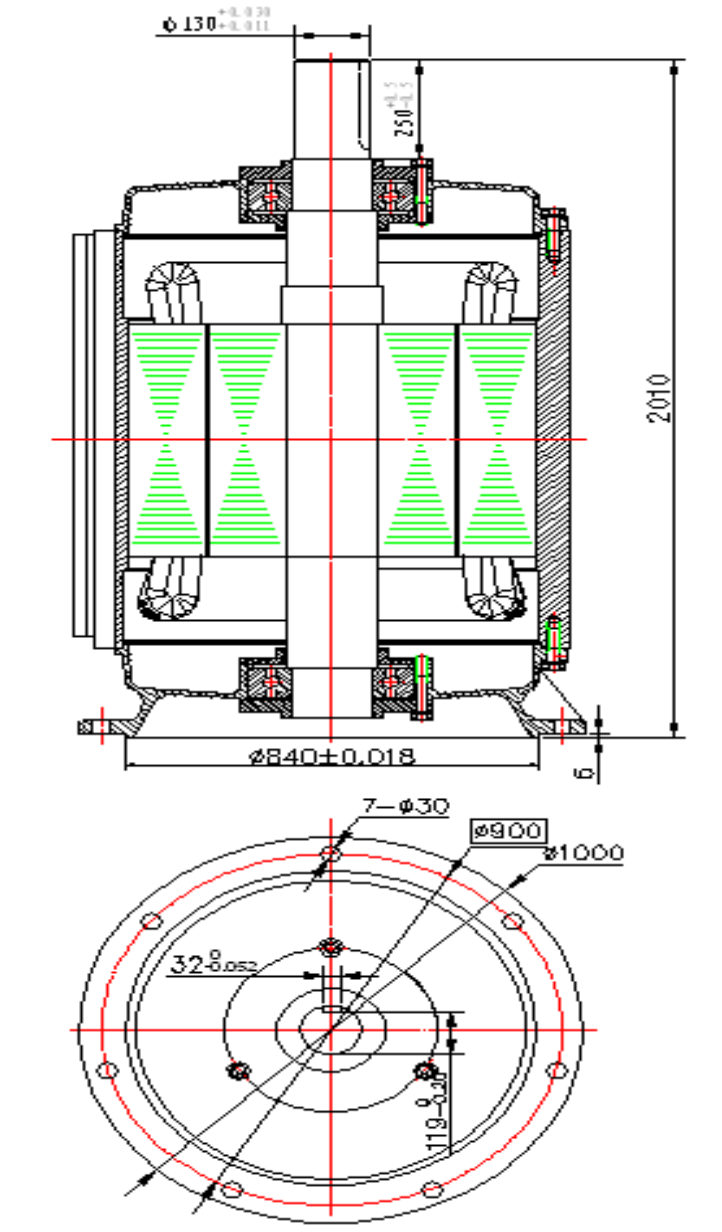
Power	Voltage	Speed	Current	Torque	Firing torque	Weight
150~300kw	380~690V	100~200rpm	250~1000A	3800~5500Nm	150~350Nm	2780KG

450 vertical axis wind power permanent-magnet generator installation

Rare Earth Low Speed Generators

USA Solar & Wind Inc Email usasolar@comcast.net phone 1 904 513 1418

diagram and technical parameter

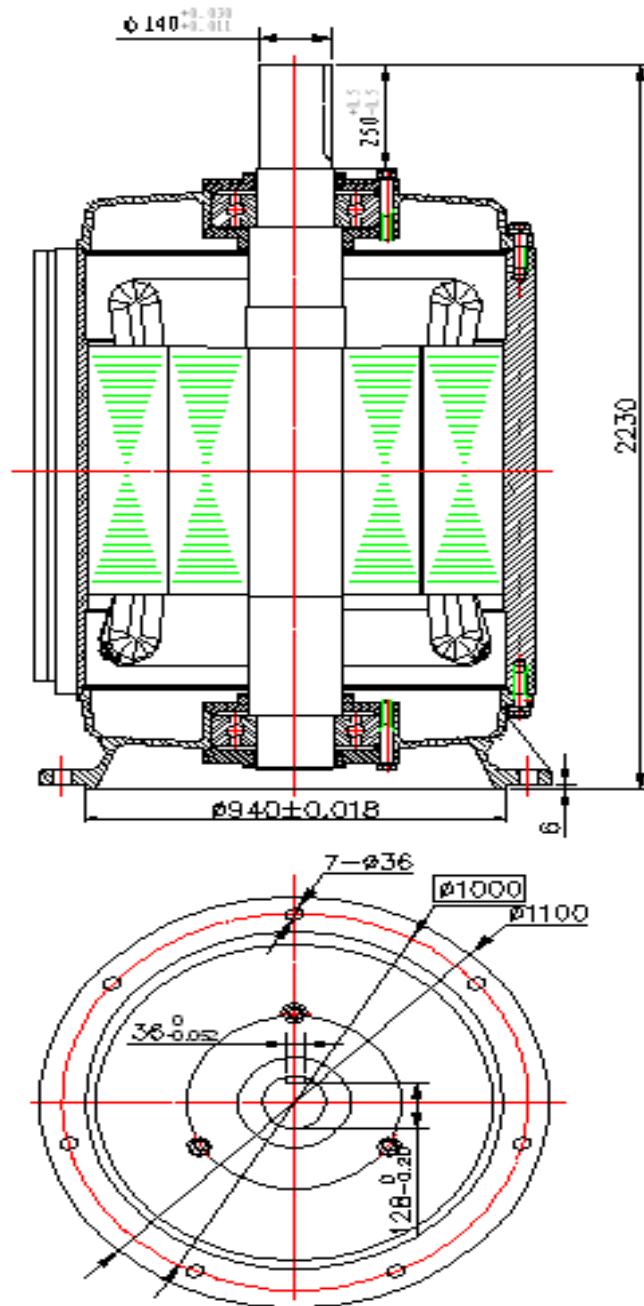


Power	Voltage	Speed	Current	Torque	Firing torque	Weight
200~500kw	380~690V	100~200rpm	300~1300A	4200~6000Nm	150~420Nm	3570KG

Rare Earth Low Speed Generators

USA Solar & Wind Inc Email usasolar@comcast.net phone 1 904 513 1418

500 vertical axis wind power permanent-magnet generator installation diagram and technical parameter

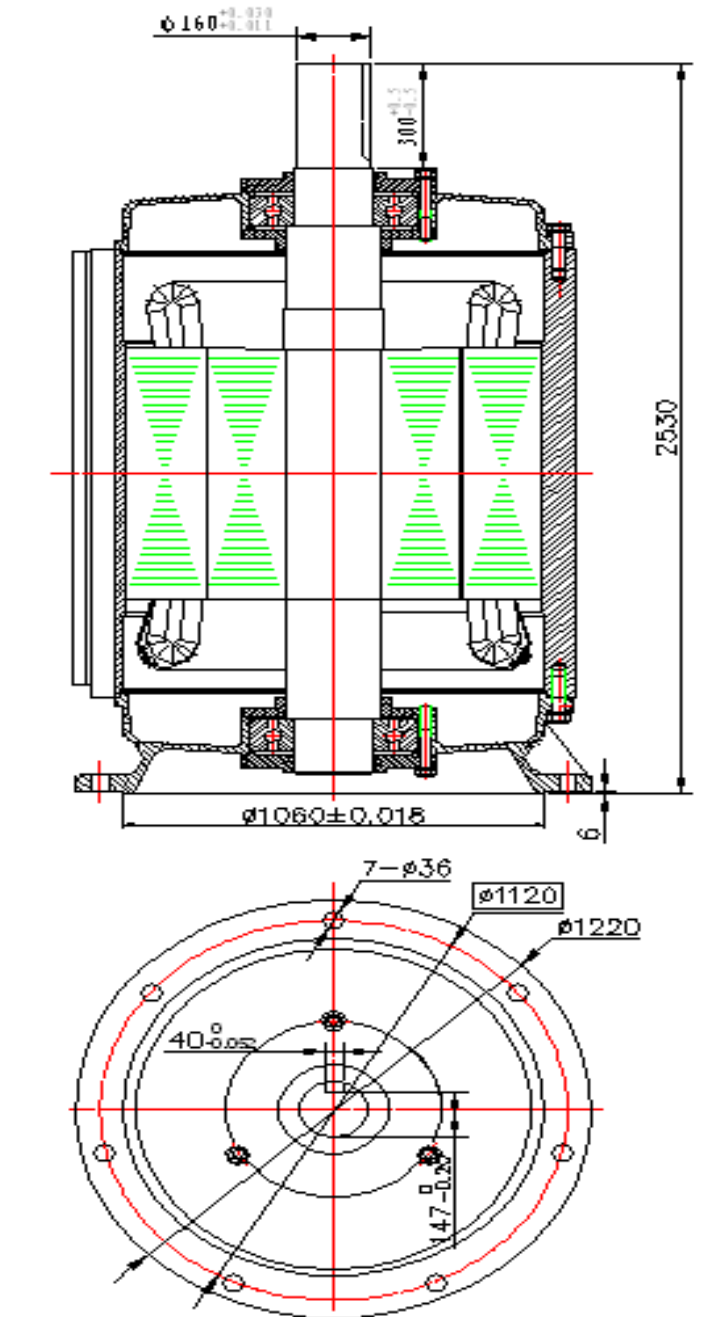


Power	Voltage	Speed	Current	Torque	Firing torque	Weight
400~600kw	380~690V	100~200rpm	400~1500A	4500~6500Nm	150~450Nm	4510KG

Rare Earth Low Speed Generators

USA Solar & Wind Inc Email usasolar@comcast.net phone 1 904 513 1418

560 vertical axis wind power permanent-magnet generator installation diagram and technical parameter

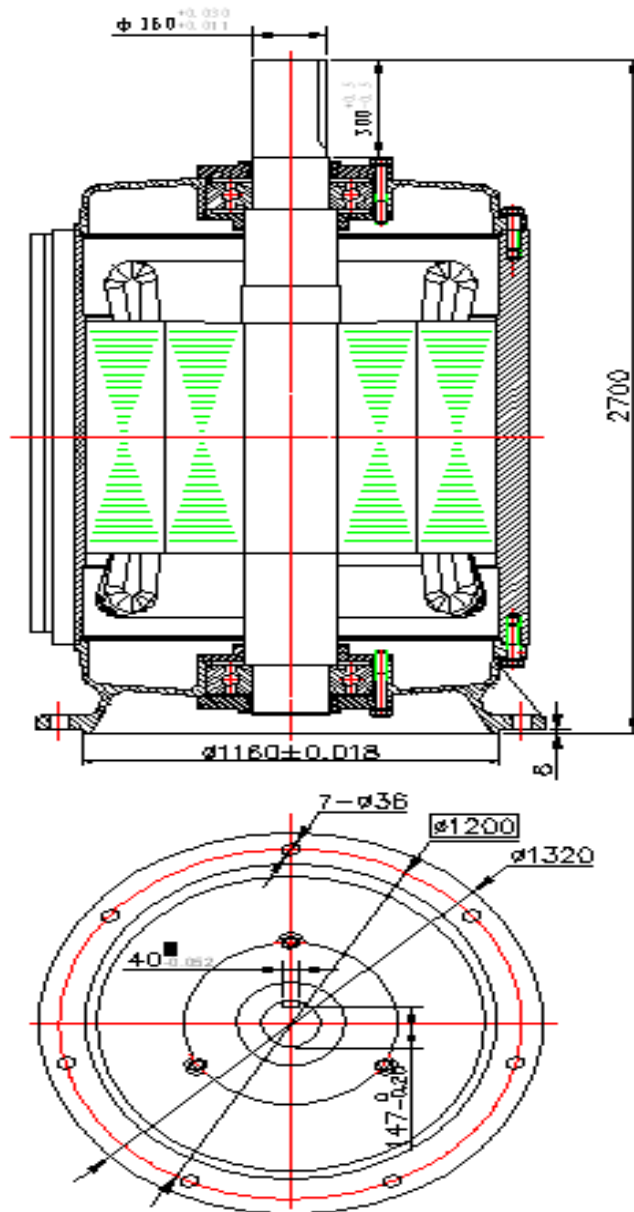


Power	Voltage	Speed	Current	Torque	Firing torque	Weight
500~800kw	380~690V	100~200rpm	500~1500A	5000~7000Nm	200~600Nm	5380KG

Rare Earth Low Speed Generators

USA Solar & Wind Inc Email usasolar@comcast.net phone 1 904 513 1418

630 vertical axis wind power permanent-magnet generator installation diagram and technical parameter



Power	Voltage	Speed	Current	Torque	Firing torque	Weight
700~1000kw	380~690V	100~200rpm	750~2000A	6000~8000Nm	300~800Nm	6290KG

The RELSG vertical axis drives straight the wind-driven generator characteristic

- (1) low speed permanent-magnet generator, omits the speed reducer, the low speed may send out the high voltage.
- (2) highly effective permanent-magnet generator or the battery charger, the optimized design, the structure are compact. Not brushes, does not need the excitation, does not produce the spark. Protection rank: IP44, the water, the putty, the dust cannot enter in the electrical machinery, the service life is long.
- (3) non-exciting winding, the electrical machinery rotor intensity is high, the electrical machinery may achieve compares the high speed.
- (4) non-excitation control box, the structure is simple, reliable enhancement.
- (5) volume small, the weight light, the energy density is big, suits the specific situation.
- (6) the electrical machinery highly effective moves in the entire speed range, the electricity generation efficiency is high.
- (7) electrical machinery uses buries the type rare earth magnet steel, jolts specially suitably, starts repeatedly, is reversing the movement need.
- (8) electrical machinery uses the import oiliness high speed bearing, exempts the maintenance, the reliability is high, the electrical machinery life is long.
- (9) may according to need to change parameters and so on electrical machinery voltage, rotational speed, power, may change the electrical machinery outlook, may use the spline axle elongation, the double axle elongation, front end stops ways and so on mouth output.